

STIHL[®]

STIHL RMA 460

Instruction Manual
Manual de instruções de serviços



Ⓞ **Instruction Manual**
1 - 26

Ⓞ **Manual de instruções de serviços**
27 - 53

Contents

1	Introduction	2
2	Guide to Using this Manual	2
2.1	Applicable Documentation	2
2.2	Symbols used with warnings in the text	3
2.3	Symbols in Text	3
3	Overview	3
3.1	Mower and Battery	3
3.2	Symbols	4
4	Safety Precautions	5
4.1	Warning Symbols	5
4.2	Intended Use	6
4.3	The Operator	6
4.4	Clothing and Equipment	6
4.5	Work Area and Surroundings	7
4.6	Safe Condition	8
4.7	Operation	9
4.8	Transporting	10
4.9	Storing	11
4.10	Cleaning, Maintenance and Repairs	11
5	Preparing the Lawn Mower for Operation	12
5.1	Preparations	12
6	Charging the Battery, LEDs	12
6.1	Charging the Battery	12
6.2	State of Charge	13
6.3	LEDs on Battery	13
7	Assembling the Lawn Mower	13
7.1	Mounting the Handlebar	13
7.2	Fitting and Removing the Grass Box	13
7.3	Fitting and Removing the Mulch Plug	14
7.4	Fitting and Removing the Chute	14
7.5	Fitting and Removing the Blade	15
8	Adjusting Lawn Mower for the User	16
8.1	Unfolding and Adjusting the Handle	16
8.2	Folding the Handle	16
9	Inserting and Removing Activation Key	17
9.1	Inserting the Activation Key	17
9.2	Removing the Activation Key	17
10	Removing and Fitting the Battery	17
10.1	Fitting the Battery	17
10.2	Removing the Battery	18
11	Switching the Lawn Mower On and Off	18
11.1	Switching On	18
11.2	Switching Off	19
12	Checking the Lawn Mower and Battery	19
12.1	Checking the Controls	19
12.2	Checking the Blade	19
12.3	Testing the Battery	20
13	Operating the Lawn Mower	20
13.1	Holding and Controlling the Mower	20
13.2	Adjusting Cutting Height	20
13.3	Switching on ECO Mode	20
13.4	Mowing and Mulching	21
14	After Finishing Work	21
14.1	After Finishing Work	21
15	Transporting	21
15.1	Transporting the Mower	21
15.2	Transporting the Battery	21
16	Storing	22
16.1	Storing the Mower	22
16.2	Storing the Battery	22
17	Cleaning	22
17.1	Standing the Mower on End	22
17.2	Cleaning the Mower	22
17.3	Cleaning the Battery	22
18	Maintenance	23
18.1	Sharpening and Balancing the Blade	23



This instruction manual is protected by copyright. All rights reserved, especially the rights to reproduce, translate and process with electronic systems.

19 Repairing	23
19.1 Repairing the Mower and Battery	23
20 Troubleshooting	24
20.1 Troubleshooting Mower and Battery	24
21 Specifications	26
21.1 STIHL RMA 460 Mower	26
21.2 Blade	26
21.3 STIHL AK Battery	26
21.4 REACH	26
22 Spare Parts and Accessories	26
22.1 Spare Parts and Accessories	26
23 Disposal	26
23.1 Disposing of Mower and Battery	26

1 Introduction

Dear Customer,

Thank you for choosing STIHL. We develop and manufacture our quality products to meet our customers' requirements. The products are designed for reliability even under extreme conditions.

STIHL also stands for premium service quality. Our specialist dealers guarantee competent advice and instruction as well as comprehensive service support.

We thank you for your confidence in us and hope you will enjoy working with your STIHL product.



Dr. Nikolas Stihl

IMPORTANT: READ BEFORE USE AND KEEP IN A SAFE PLACE.

2 Guide to Using this Manual

2.1 Applicable Documentation

Local safety regulations apply.

- ▶ Read, understand and save the following documents in addition to this instruction manual:
 - Safety notes and precautions for STIHL AK battery.
 - Safety information for STIHL batteries and products with built in batteries: www.stihl.com/safety-data-sheets

2.2 Symbols used with warnings in the text

WARNING

This symbol indicates dangers that can cause serious injuries or death.


- ▶ The measures indicated can avoid serious injuries or death.

NOTICE

This symbol indicates dangers that can cause damage to property.

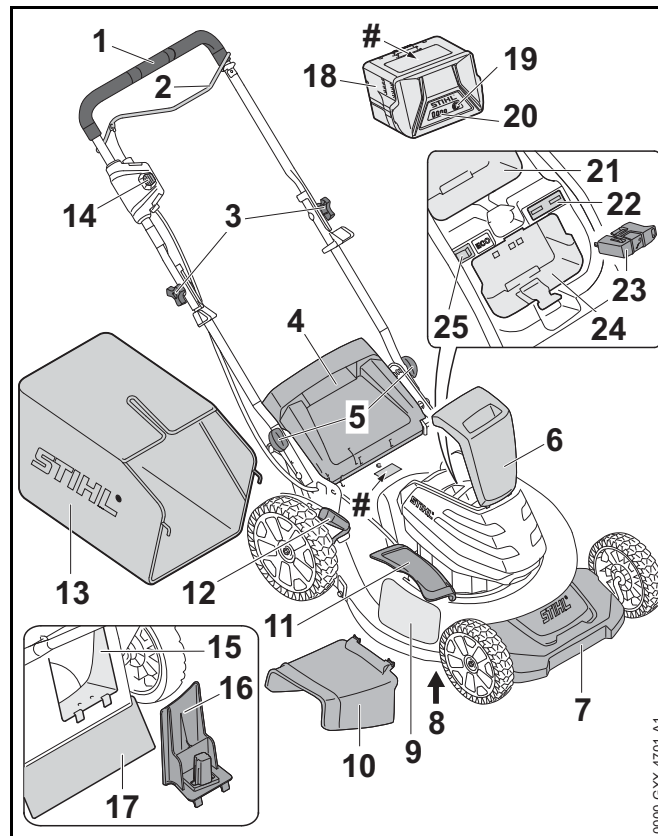
- ▶ The measures indicated can avoid damage to property.

2.3 Symbols in Text

-  This symbol refers to a chapter in this instruction manual.

3 Overview

3.1 Mower and Battery



1 Handle

For holding, controlling and transporting the mower.

2 Switch Lever

Switches the mower on and off in combination with lockout button.

3 Star Knob Nut

Secures upper handle section to the lower handle section.

4 Discharge Shield

Closes the discharge duct.

5 Lever

Locks the handle adjuster.

6 Lid

Covers the battery, ECO switch and activation key and protects them from ingress of dust and dirt.

7 Cover

Covers front axle and is used for carrying the mower.

8 Blade

Mows and mulches grass.

9 Side Discharge Duct

Diverts grass cuttings sideways.

10 Side Chute

Discharges grass cuttings on lawn.

11 Side Discharge Shield

Closes the side discharge duct.

12 Lever

Adjusts cutting height.

13 Grass Box

Collects the grass cuttings.

14 Lockout Button

Switches the mower on and off in combination with the switch lever.

15 Rear Discharge Duct

Diverts grass cuttings into the grass box.

16 Mulch Plug

Closes the rear discharge duct.

17 Deflector

Protects user from flying debris and contact with the blade.

18 Battery

Supplies power to the mower.

19 Button

Activates the LEDs on the battery.

20 LEDs

Indicate battery's state of charge and malfunctions.

21 Battery Compartment

Accommodates a spare battery.

22 Key Socket

Accommodates the activation key.

23 Activation Key

Activates the mower.

24 Battery Compartment

Accommodates the battery.

25 ECO Switch

Switches the ECO mode on and off.

Rating label with serial number**3.2 Symbols**

Meanings of symbols that may be on the mower and battery:



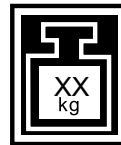
This symbol marks the activation key.



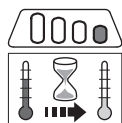
This symbol marks the key's socket.



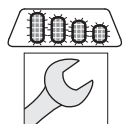
This symbol marks the ECO switch.



This symbol shows the weight of the mower.



1 LED glows red. Battery too hot or too cold.



4 LEDs flash red. There is a malfunction in the battery.



LED glows green and LEDs on battery glow or flash green. Battery is being charged.



LED flashes red. No electrical contact between battery and charger or malfunction in battery or charger.



LWA Guaranteed sound power level according to directive 2000/14/EC in dB(A) in order to make sound emissions of products comparable.



The data next to this symbol indicates the energy content of the battery according to the cell manufacturer's specification. The energy content available during operation is lower.



Do not dispose of the product with your household waste.

4 Safety Precautions

4.1 Warning Symbols

Meanings of warning symbols on the mower and battery:



Observe safety notices and take the necessary precautions.



Read, understand and save the instruction manual.



Wear safety glasses.



Observe safety notices on flying debris and take the necessary precautions.



Do not touch the rotating cutting blade.



Always remove the battery during work breaks, transport, storage, maintenance or repairs.



Always remove the activation key during work breaks, transport, storage, maintenance or repairs.



Maintain safe distance.



Protect battery from heat and fire.



Protect the mower and battery from rain and damp – do not immerse in fluids.



Observe battery's permissible temperature range.

4.2 Intended Use

The STIHL RMA 460 mower is designed for mowing and mulching dry grass.

The must not be used in the rain.

A STIHL AK battery supplies the mower with power.

⚠ WARNING

- Batteries not explicitly approved for the mower by STIHL may cause a fire or explosion. This can result in serious or fatal injuries and damage to property.
 - ▶ Use the mower with a STIHL AK battery.
- Using the mower or the battery for purposes for which they were not designed may result in serious or fatal injuries and damage to property.
 - ▶ Use the mower and battery as described in this instruction manual.

4.3 The Operator

⚠ WARNING

- Users without adequate training or instruction cannot recognize or assess the risks involved in using the mower and battery. The user or other persons may sustain serious or fatal injuries.



▶ Read, understand and save the instruction manual.

- ▶ If you pass the mower or battery on to another person: Always give them the instruction manual.
- ▶ If you have any queries: Contact your STIHL servicing dealer for assistance.
- ▶ Make sure the user meets the following requirements:
 - The user must be rested.
 - The user must be in good physical condition and mental health to operate and work with the mower and battery. If the user's physical, sensory or mental ability is restricted, he or she may work only under the supervision of or as instructed by a responsible person.
 - The user must be legally recognized as an adult.
 - The user has received instruction from a STIHL servicing dealer or other experienced user before working with the mower for the first time.
 - The user must not be under the influence of alcohol, medication or drugs.

4.4 Clothing and Equipment

⚠ WARNING

- Objects can be thrown through the air at high speed during operation. This can result in personal injury.
 - ▶ Wear close-fitting safety glasses. Suitable safety glasses that have been tested and labeled in accordance with EN 166 or national standards are available from retailers.
- ▶ Wear long trousers made of durable material.



- Dust can be whipped up during operation: Whipped up dust can damage the respiratory passages and cause allergic reactions.
 - ▶ Wear a respirator.
- Inappropriate clothing can snag on wood, brush or the mower. Not wearing personal protective equipment may result in serious injury.
 - ▶ Wear snug-fitting clothing.
 - ▶ Do not wear a scarf or jewelry.
- The user can come into contact with the rotating blade during operation. This can result in serious injuries.
 - ▶ Wear footwear made of durable material.
 - ▶ Wear long trousers made of durable material.
- The user can come into contact with the cutting blade during cleaning and maintenance work. This can result in personal injury.
 - ▶ Wear work gloves made of durable material.
- Wearing unsuitable footwear may cause you to slip or stumble. This can result in personal injury.
 - ▶ Wear sturdy enclosed footwear with non-slip soles.

4.5 Work Area and Surroundings

4.5.1 Mower

WARNING

- Bystanders, children and animals cannot recognize or assess the dangers of the mower or flying debris. Innocent bystanders, children and animals may be seriously injured.



- ▶ Do not allow bystanders, children or animals within 15 meters of the work area.

- ▶ Maintain a clearance of 15 meters from objects.

- The mower is not waterproof. Working in the rain or a damp location may result in an electric shock. This can result in injuries to the user and may damage the mower.



- ▶ Do not work in the rain or a damp location.

- ▶ Do not mow or mulch wet grass.

- The mower's electric motor may produce sparks. Sparks may cause a fire or an explosion in an easily combustible or explosive environment. This can result in serious or fatal injuries and damage to property.
 - ▶ Do not work in an easily combustible or explosive environment.

4.5.2 Battery

WARNING

- Children are not aware of and cannot assess the dangers of the battery. Children can be seriously injured.
 - ▶ Keep children away.
- The battery is not protected against all ambient conditions. If the battery is exposed to certain ambient conditions, it may catch fire or explode. This can result in serious injuries and damage to property.



- ▶ Protect the battery from heat and fire.
- ▶ Do not throw the battery into a fire.



- ▶ Use and store the battery at temperatures between - 10 °C and + 50 °C.



- ▶ Protect the battery from rain and moisture and do not immerse it in liquids.

- ▶ Keep the battery away from metal objects.
- ▶ Do not expose the battery to high pressure.
- ▶ Do not expose the battery to microwaves.

- ▶ Protect the battery from chemicals and salts.

4.6 Safe Condition

4.6.1 Mower

The mower is in a safe condition if the following points are observed:

- Mower is not damaged.
- Mower is clean and dry.
- The controls function properly and have not been modified.
- If you want to mow and collect the grass cuttings in the grass box: The mulch plug and side chute must be removed and the grass box correctly fitted.
- If you want to mow and discharge the grass cuttings sideways: The grass box must be removed and the mulch plug and side chute correctly fitted.
- If you want to mulch: The side chute and grass box must be removed and the mulch plug correctly fitted.
- The blade is correctly installed.
- The deflector is correctly fitted.
- Only original STIHL accessories designed for this mower model are fitted.
- Accessories are properly mounted.



WARNING

- If components do not comply with safety requirements, they will no longer function properly and safety devices may be rendered inoperative. This can result in serious or fatal injuries.
 - ▶ Work only with an undamaged mower.
 - ▶ If the mower is dirty or wet: Clean the mower and allow it to dry.
 - ▶ Do not modify the mower.
 - ▶ If the controls do not function properly: Do not work with the mower.

- ▶ If you want to mow and collect the grass cuttings in the grass box: Remove the mulch plug and side chute, and fit the grass box as described in this instruction manual.
- ▶ If you want to mow and discharge the grass cuttings sideways: Remove the grass box and fit the mulch plug and side chute as described in this instruction manual.
- ▶ If you want to mulch: Remove the side chute and grass box, and fit the mulch plug as described in this instruction manual.
- ▶ Only fit original STIHL accessories designed for this mower model.
- ▶ Install the blade as described in the instruction manual.
- ▶ Mount accessories as described in this instruction manual or the instructions supplied with the accessory.
- ▶ Never insert objects in the mower's openings.
- ▶ Never bridge the contacts in the activation key socket with metallic objects (short circuit).
- ▶ If you have any queries: Contact your STIHL servicing dealer for assistance.

4.6.2 Blade

The blade is in a safe condition if the following points are observed:

- The blade and mounting hardware are undamaged.
- The blade is not warped.
- The blade is correctly installed.
- The blade is correctly sharpened
- The blade is free from burrs.
- The blade's minimum thickness and minimum width are within the specified limits,  21.2.
- The sharpening angle is correct,  21.2.

⚠ WARNING

- If they are in an unsafe condition, parts of the cutting blade may come off and be thrown at high speed. This can result in serious injuries.
 - ▶ Never work with a damaged blade or damaged mounting hardware.
 - ▶ Sharpen the blade properly.
 - ▶ If the minimum thickness and minimum width are outside the specified limits: Replace the blade.
 - ▶ Have the blade balanced by a STIHL servicing dealer.
 - ▶ If you have any queries: Contact your STIHL servicing dealer for assistance.

4.6.3 Battery

The battery is in a safe condition if the following points are observed:

- Battery is undamaged.
- Battery is clean and dry.
- Battery functions properly and has not been modified.

⚠ WARNING

- A battery that is not in a safe condition cannot operate safely. This can result in serious injuries.
 - ▶ Never work with a damaged battery.
 - ▶ Never attempt to charge a damaged or defective battery.
 - ▶ If the battery is dirty or wet: Clean the battery and allow it to dry.
 - ▶ Never attempt to modify the battery.
 - ▶ Never insert objects in the battery's openings.
 - ▶ Never bridge the battery's contacts with metallic objects (short circuit).
 - ▶ Do not open the battery.

- Fluid may escape from a damaged battery. The fluid can cause irritation if it contacts the skin or eyes.
 - ▶ Avoid contact with the fluid.
 - ▶ In case of contact with the skin: Wash affected areas with plenty of water and soap.
 - ▶ In case of contact with the eyes: Rinse eyes with plenty of water for at least 15 minutes and seek medical advice.
- A damaged or defective battery may smell unusual, emit smoke or burn. This can result in serious or fatal injuries and damage to property.
 - ▶ If the battery smells unusual or emits smoke: Do not use the battery and keep it away from combustible substances.
 - ▶ If the battery catches fire: Attempt to extinguish the battery with a fire extinguisher or water.

4.7 Operation

⚠ WARNING

- The user cannot concentrate on the work in certain situations. The user may stumble, fall and be seriously injured.
 - ▶ Work calmly and carefully.
 - ▶ If light and visibility are poor: Do not work with the mower.
 - ▶ Operate the mower alone.
 - ▶ Watch out for obstacles.
 - ▶ Stand on the ground while working and keep a good balance.
 - ▶ If you begin to feel tired: Take a break.
 - ▶ If it is necessary to mow on a slope: Mow across the slope.
 - ▶ Do not mow on steep slopes.
- The rotating cutting blade can cut the user. This can result in serious injuries.



- ▶ Do not touch the rotating cutting blade.
- ▶ If the blade is blocked by an object: Switch off the mower, remove the activation key and battery. Then remove the object causing the blockage.



- If the behavior of the mower changes during operation or feels unusual, it may no longer be in a safe condition. This can result in serious injuries and damage to property.
 - ▶ Stop work, remove the activation key and battery, and contact your STIHL servicing dealer for assistance.
- Vibrations may occur while using the mower.
 - ▶ Wear gloves.
 - ▶ Take regular breaks.
 - ▶ If signs of circulation problems occur: Seek medical advice.
- Note that the blade continues to rotate for a short period after you release the switch lever. This can result in serious injuries.
 - ▶ Wait until the blade comes to a complete stop.
- Sparks may occur if the rotating blade makes contact with a hard object. Sparks may cause a fire in an easily combustible location. This can result in serious or fatal injuries and damage to property.
 - ▶ Do not work in an easily combustible location.

! DANGER

- Working near live electric cables can result in accidental contact with the cutting blade. This can result in serious or fatal injuries.
 - ▶ Do not work near live electric cables.
- Do not use the mower during a thunderstorm since there is a risk of being struck by lightning. This can result in serious or fatal injuries.
 - ▶ If a thunderstorm is approaching: Put off the work.

4.8 Transporting

4.8.1 Mower

! WARNING

- The mower may turn over or shift during transport. This may result in personal injuries and damage to property.



- ▶ Remove the activation key.



- ▶ Remove the battery.

- ▶ Secure the mower with lashing straps or a net to prevent it turning over and moving.
- The mower is heavy. Carrying the mower alone can result in injuries.
 - ▶ Carry the mower with an assistant.

4.8.2 Battery

! WARNING

- The battery is not protected against all ambient conditions. The battery may be damaged if it is exposed to certain ambient conditions and damage to property may occur.
 - ▶ Never transport a damaged battery.
 - ▶ Store the battery in non-conductive packaging.
- The battery may turn over or shift during transport. This may result in personal injuries and damage to property.
 - ▶ Pack the battery in packaging in such a way that it cannot move.
 - ▶ Secure the packaging so that it cannot move.

4.9 Storing

4.9.1 Mower

⚠ WARNING

- Children are not aware of and cannot assess the dangers of the mower and can be seriously injured.



- ▶ Remove the activation key.



- ▶ Remove the battery.

- ▶ Store the mower out of the reach of children.

- Dampness can corrode the electrical contacts on the mower and metal components. The mower may be damaged.



- ▶ Remove the activation key.



- ▶ Remove the battery.

- ▶ Store the mower in a clean and dry condition.

4.9.2 Battery

⚠ WARNING

- Children are not aware of and cannot assess the dangers of the battery and can be seriously injured.
 - ▶ Store the battery out of the reach of children.
- The battery is not protected against all ambient conditions. The battery may be damaged if it is exposed to certain ambient conditions.
 - ▶ Store the battery in a clean and dry condition.
 - ▶ Store the battery in an enclosed location.
 - ▶ Store the battery separately from the mower and charger.
 - ▶ Store the battery in non-conductive packaging.
 - ▶ Store the battery at temperatures between -10°C and +50°C.

4.10 Cleaning, Maintenance and Repairs

⚠ WARNING

- The mower may start unintentionally if the activation key and battery are left in place during cleaning, maintenance or repair operations. This can result in serious injuries and damage to property.



- ▶ Remove the activation key.



- ▶ Remove the battery.

- Aggressive cleaning agents, cleaning with a jet of water or pointed objects can damage the mower, cutting blade and battery. If the mower, cutting blade or battery are not










cleaned correctly, components may no longer function properly or safety devices may be rendered inoperative. This can result in serious injuries.












- ▶ Clean the mower, cutting blade and battery as described in this instruction manual.
- If the mower, cutting blade or battery are not serviced correctly, components may no longer function properly or safety devices may be rendered inoperative. This can result in serious or fatal injuries.
 - ▶ Do not attempt to service or repair the mower or battery.
 - ▶ If the mower or the battery require servicing or repairs: Contact your STIHL servicing dealer for assistance.
 - ▶ Maintain the blade as described in this instruction manual.
- The user can be cut by the sharp cutting edges while cleaning, maintaining or repairing the cutting blade. This can result in personal injury.
 - ▶ Wear work gloves made of durable material.

5 Preparing the Lawn Mower for Operation

5.1 Preparations

Perform the following steps before starting work:

- ▶ Make sure the following components are in a safe condition:
 - Mower,  4.6.1.
 - Blade,  4.6.2.
 - Battery,  4.6.3.
- ▶ Check the battery,  12.3.
- ▶ Fully charge the battery,  6.1.
- ▶ Clean the mower,  17.2.
- ▶ Check the blade,  12.2.
- ▶ Mount the handle,  7.1.
- ▶ Unfold and adjust the handle,  8.1.

- ▶ If you want to mow and collect the grass cuttings in the grass box:
 - ▶ Remove the chute,  7.3.2.
 - ▶ Remove the mulch plug,  7.3.2.
 - ▶ Fit the grass box,  7.2.1.
- ▶ If you want to mow and discharge the grass cuttings sideways:
 - ▶ Remove the mulch plug,  7.3.2.
 - ▶ Remove the grass box,  7.2.2.
 - ▶ Fit the side chute,  7.4.1.
- ▶ If you want to mulch:
 - ▶ Remove the chute,  7.4.2.
 - ▶ Remove the grass box,  7.2.2.
 - ▶ Fit the mulch plug,  7.3.1.
- ▶ Adjust cutting height,  13.2.
- ▶ Check the controls,  12.1.
 - ▶ If 3 LEDs flash red while you are checking the controls: Remove the activation key and battery, and contact your STIHL servicing dealer for assistance. There is a malfunction in the mower.
- ▶ If you cannot carry out these steps: Do not use your mower and contact your STIHL servicing dealer for assistance.

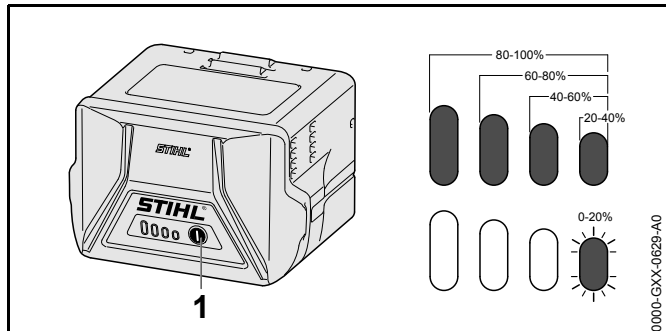
6 Charging the Battery, LEDs

6.1 Charging the Battery

The charging time depends on several factors, e.g. temperature of the battery or the ambient temperature. The actual charging time may differ from the specified charging time. For specified charging times see www.stihl.com/charging-times.

- ▶ Recharge the battery fully as described in the instruction manual for the STIHL AL 101, 300, 500 chargers.

6.2 State of Charge



- ▶ Press the button (1).
The LEDs (5) glow green for about 5 seconds and indicate the state of charge.
- ▶ If the LED on the right flashes green: Charge the battery.

6.3 LEDs on Battery

The LEDs can show the state of charge or malfunctions. The LEDs can glow or flash green or red.

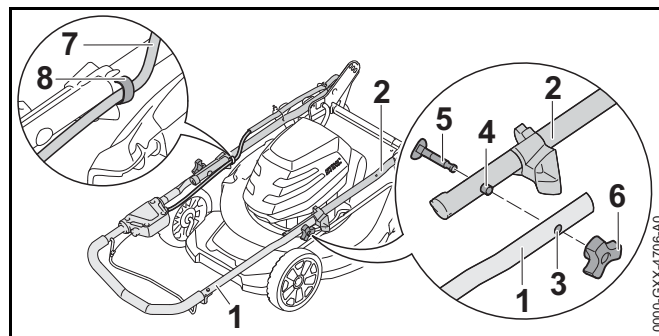
The state of charge is indicated when the LEDs glow or flash green.

- ▶ If the LEDs glow or flash red: Troubleshooting, 20.1.
There is a malfunction in the mower or battery.

7 Assembling the Lawn Mower

7.1 Mounting the Handlebar

- ▶ Switch off the mower, remove the activation key and battery.
- ▶ Place the mower on a flat surface.

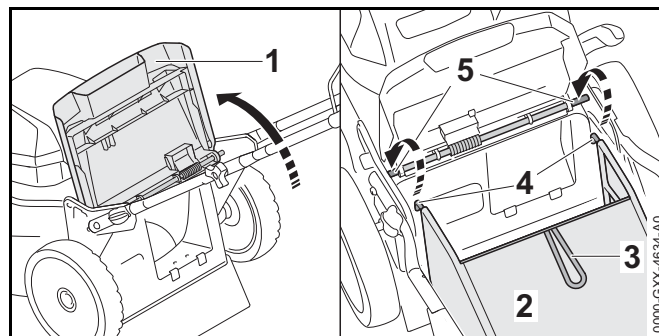


- ▶ Align upper handle (1) and lower handle (2) so that the pin (4) engages the hole (3) at both sides.
 - ▶ Insert screw (5) and line it up so that the screw head is flush with the lower handle (2) on both sides.
 - ▶ Fit the star knob nut (6).
 - ▶ Push the cable (7) into the retainer (8).
- The handle need not be removed again.

7.2 Fitting and Removing the Grass Box

7.2.1 Fitting the Grass Box

- ▶ Switch off the mower, remove the activation key and battery.
- ▶ Place the mower on a flat surface.
- ▶ If the side chute is still in place: Remove the chute.
- ▶ If the mulch plug is still in place: Remove the mulch plug.



- ▶ Open the discharge flap (1) and hold it in position.
- ▶ Hold grass box (2) by the handle (3) and engage the hooks (4) on the rod (5).
- ▶ Rest the discharge flap (1) on the grass box (2).

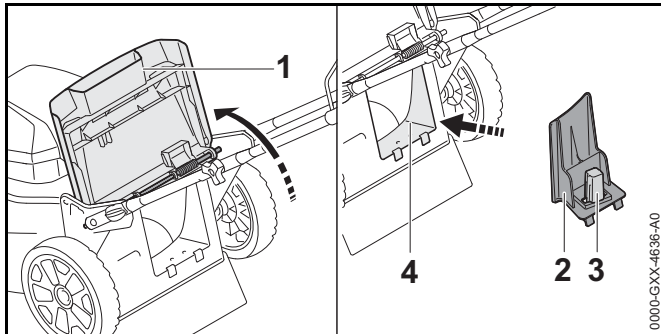
7.2.2 Removing the Grass Box

- ▶ Switch off the mower, remove the activation key and battery.
- ▶ Place the mower on a flat surface.
- ▶ Open the discharge flap and hold it in position.
- ▶ Hold grass box by the handle and lift it away.
- ▶ Close the discharge flap.

7.3 Fitting and Removing the Mulch Plug

7.3.1 Fitting the Mulch Plug

- ▶ Switch off the mower, remove the activation key and battery.
- ▶ Place the mower on a flat surface.



- ▶ Open the discharge flap (1) and hold it in position.
- ▶ Hold the mulch plug (2) by the grip (3) and fit it in the discharge duct (4).
- ▶ Close the discharge flap (1).

7.3.2 Removing the Mulch Plug

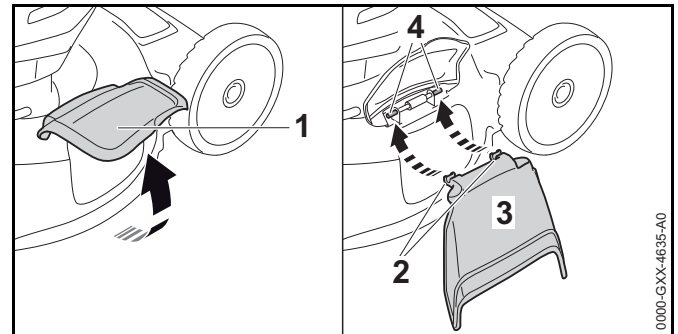
- ▶ Switch off the mower, remove the activation key and battery.

- ▶ Place the mower on a flat surface.
- ▶ Open the discharge flap and hold it in position.
- ▶ Remove the mulch plug.
- ▶ Close the discharge flap.

7.4 Fitting and Removing the Chute

7.4.1 Fitting the Chute

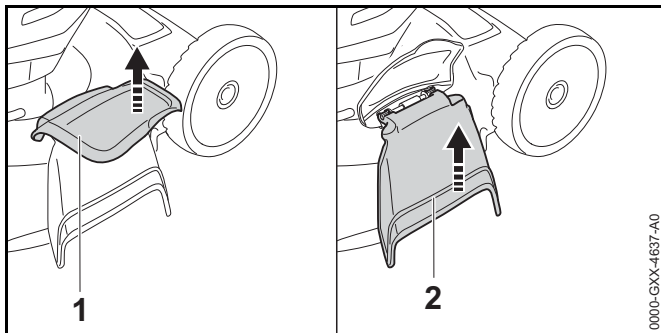
- ▶ Switch off the mower, remove the activation key and battery.
- ▶ Place the mower on a flat surface.



- ▶ Open the side discharge flap (1) and hold it in position.
- ▶ Engage hooks (2) on the shaft (4) from below.
- ▶ Rest the side discharge flap (1) on the chute (3).

7.4.2 Removing the Chute

- ▶ Switch off the mower, remove the activation key and battery.
- ▶ Place the mower on a flat surface.

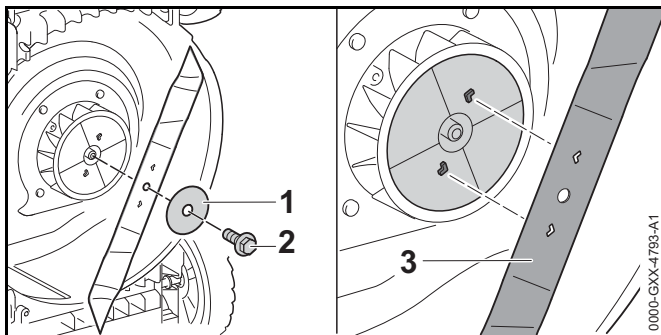


- ▶ Open the side discharge flap (1) and hold it in position.
- ▶ Swing the chute (2) upwards and lift it away.
- ▶ Close the side discharge flap (1).

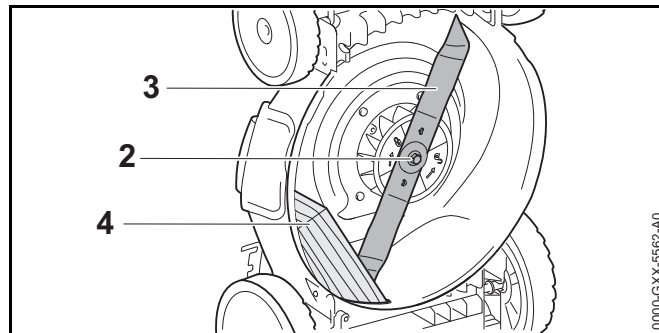
7.5 Fitting and Removing the Blade

7.5.1 Mounting the Blade

- ▶ Switch off the mower, remove the activation key and battery.
- ▶ Stand the mower on end.



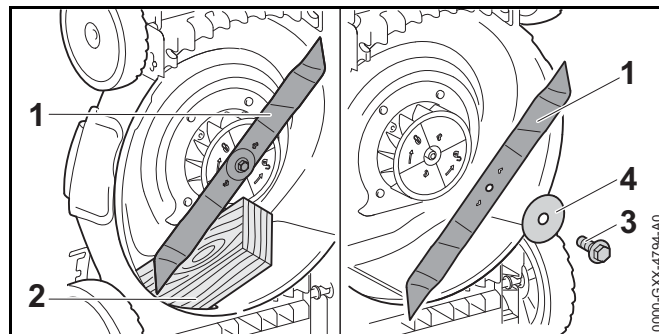
- ▶ Fit washer (1) on the screw (2).
- ▶ Coat screw (2) with Loctite 243 or Loctite 242.
- ▶ Fit the blade (3) so that the lugs on the mounting face (4) engage the recesses in the blade.



- ▶ Fit the screw (2) together with the washer (1).
- ▶ Use a piece of wood (4) to block the blade (3).
- ▶ Tighten down the screw (2) firmly.

7.5.2 Removing the Blade

- ▶ Switch off the mower, remove the activation key and battery.
- ▶ Stand the mower on end.

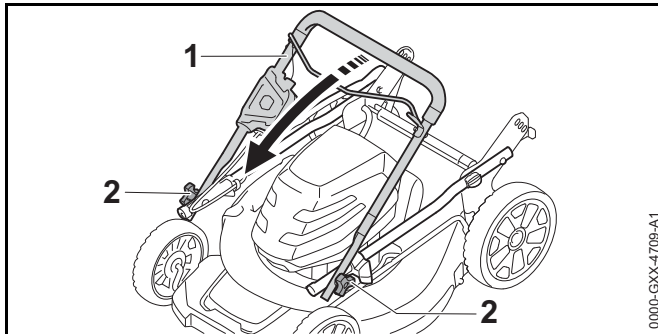


- ▶ Use a piece of wood (2) to block the blade (1).
- ▶ Take out the screw (3).
- ▶ Remove the washer (4).
- ▶ Remove the blade (1).

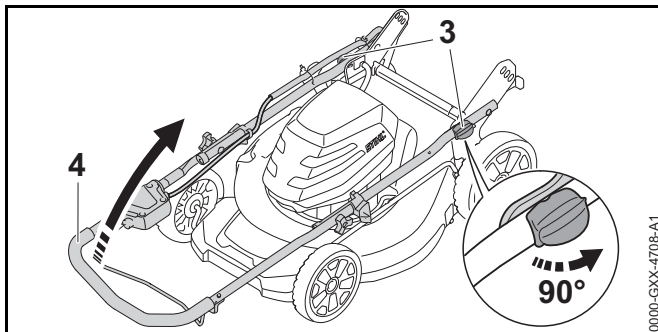
8 Adjusting Lawn Mower for the User

8.1 Unfolding and Adjusting the Handle

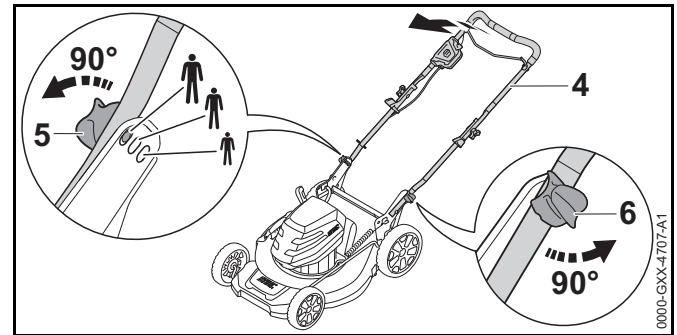
- ▶ Switch off the mower, remove the activation key and battery.
- ▶ Place the mower on a flat surface.



- ▶ Unfold the upper handle (1).
- ▶ Tighten down the star knob nuts (2).



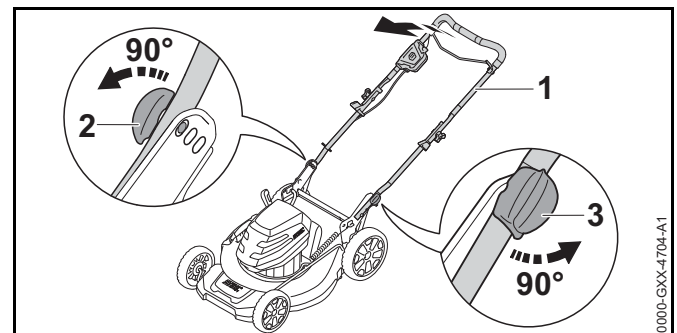
- ▶ Rotate the lever (3) 90°.
- ▶ Swing the handle (4) to upright position.



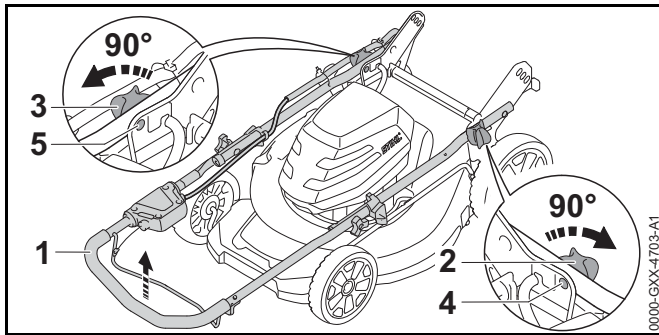
- ▶ Line up the handle (4) so that the pins of levers (5 and 6) are both in the required position.
- ▶ Rotate both levers (5 and 6) 90°. Pins of levers (5 and 6) engage the holes in the same position.

8.2 Folding the Handle

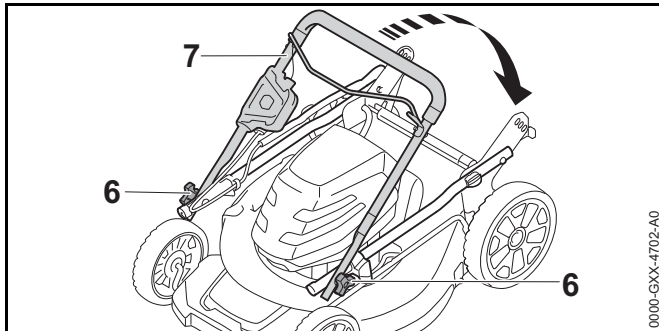
- ▶ Switch off the mower, remove the activation key and battery.
- ▶ Place the mower on a flat surface.



- ▶ Hold the handle (1) firmly and rotate the lever (2) 90°.
- ▶ Rotate the lever (3) 90°.
- ▶ Swing the handle (1) forwards and over the mower.



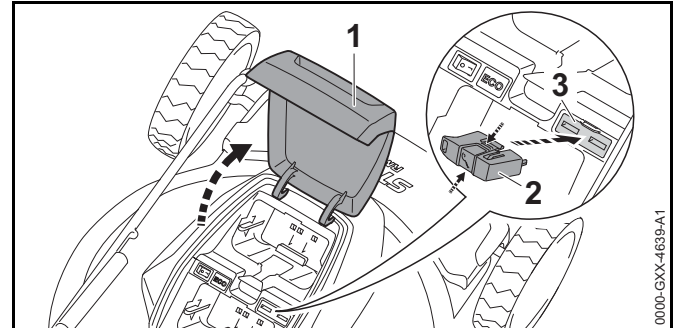
- ▶ Rotate both levers (2 and 3) 90°.
- ▶ Push the handle (1) upwards until the pins (4 and 5) of levers (2 and 3) engage. The handle (1) is fixed in position.



- ▶ Loosen the star knob nuts (6).
- ▶ Fold over the upper handle (7).

9 Inserting and Removing Activation Key

9.1 Inserting the Activation Key



- ▶ Open the lid (1) as far as stop and hold it there.
- ▶ Squeeze the activation key (2) and hold it that position.
- ▶ Insert the activation key (2) in the socket (3). The activation key (2) engages in position with a click.
- ▶ Close the lid (1).

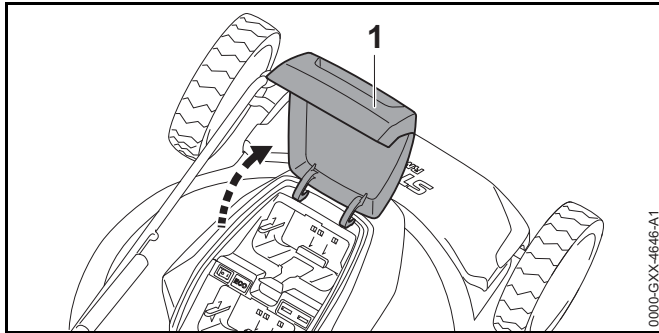
9.2 Removing the Activation Key

- ▶ Open the lid as far as stop and hold it there.
- ▶ Squeeze the activation key and hold it that position.
- ▶ Remove the activation key.
- ▶ Close the lid.
- ▶ Keep the activation key out of the reach of children.

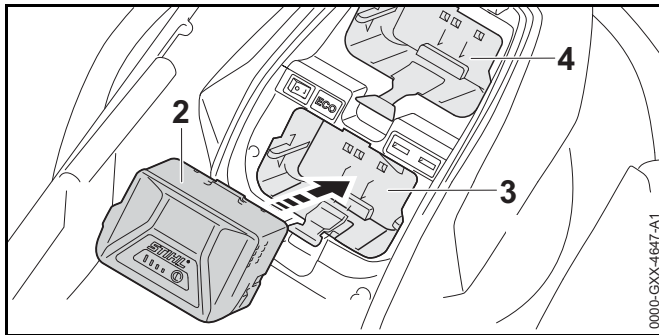
10 Removing and Fitting the Battery

10.1 Fitting the Battery

The mower has two battery compartments. A replacement battery can be kept on-board.



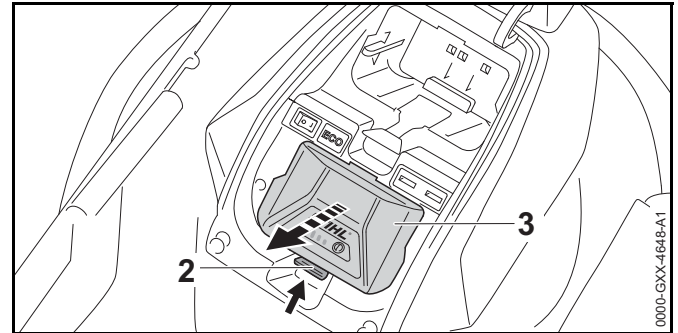
- ▶ Open the lid (1) as far as stop and hold it there.



- ▶ Push the battery (2) into the battery compartment (3) as far as stop.
The battery (2) engages with a click.
- ▶ If a replacement battery is to be kept on-board: Insert the replacement battery in the battery compartment (4).
The battery engages with a click.
- ▶ Close the lid (1).

10.2 Removing the Battery

- ▶ Place the mower on a flat surface.
- ▶ Open the lid (1) as far as stop and hold it there.

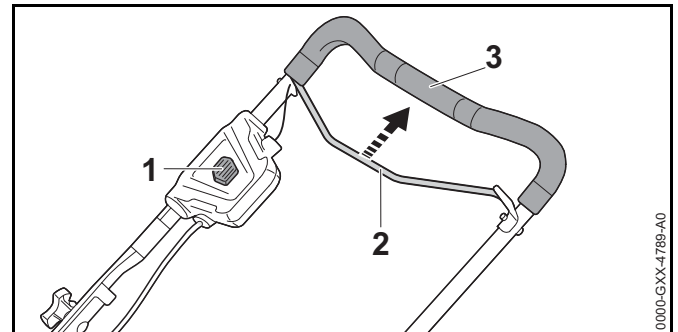


- ▶ Depress the locking lever (2).
The battery (3) is unlocked and can be removed.
- ▶ Close the lid (1).

11 Switching the Lawn Mower On and Off

11.1 Switching On

- ▶ Place the mower on a flat surface.



- ▶ Depress the lockout button (1) with your right hand and hold it there.
- ▶ Pull the switch lever (2) fully in direction of the handle with your left hand and hold it so that your thumb is wrapped around the handle (3).
The motor accelerates and the blade rotates.
- ▶ Release the lockout button (1).

- ▶ Hold the handle (3) and switch lever (2) firmly with your right hand so that your thumb is wrapped around the handle (3).

11.2 Switching Off

- ▶ Release the switch lever.
- ▶ Wait for the blade to come to a standstill.
- ▶ If the blade continues to rotate: Remove the activation key and battery, and contact your STIHL servicing dealer for assistance.
There is a malfunction in the mower.

12 Checking the Lawn Mower and Battery

12.1 Checking the Controls

Lockout button and switch lever

- ▶ Remove the activation key.
- ▶ Remove the battery.
- ▶ Depress the lockout lever and release it again.
- ▶ Pull the switch lever fully in direction of handle and release it again.
- ▶ If the lockout button or switch lever is stiff or does not spring back to the idle position: Do not use your mower and contact your STIHL servicing dealer for assistance.
There is a malfunction in the lockout button or switch lever.

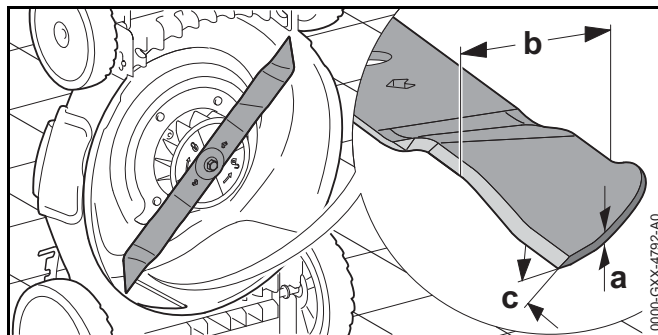
Switching on the mower

- ▶ Insert the activation key.
- ▶ Fit the battery.
- ▶ Depress the lockout button with your right hand and hold it there.
- ▶ Pull the switch lever fully in direction of the handle with your left hand and hold it so that your thumb is wrapped around the handle.
The motor accelerates and the blade rotates.

- ▶ If 3 LEDs flash red: Remove the activation key and battery, and contact your STIHL servicing dealer for assistance.
There is a malfunction in the mower.
- ▶ Release the lockout button and switch lever.
The blade stops rotating after a brief delay.
- ▶ If the blade continues to rotate: Remove the activation key and battery, and contact your STIHL servicing dealer for assistance.
There is a malfunction in the mower.

12.2 Checking the Blade

- ▶ Switch off the mower, remove the activation key and battery.
- ▶ Set the cutting height to position 6.
- ▶ Fold down the handle.
- ▶ Stand the mower on end.



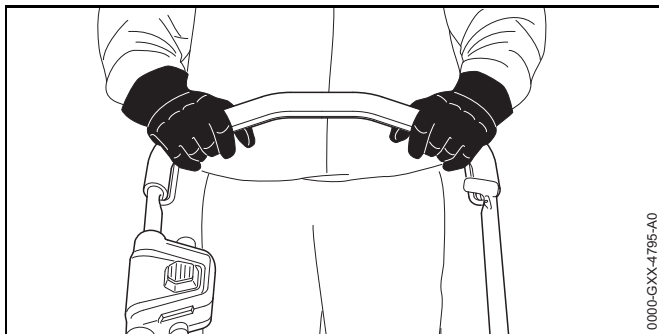
- ▶ Measure the following:
 - Thickness 'a'
 - Width 'b'
 - Sharpening angle 'c'
- ▶ If the minimum thickness and minimum width are outside the specified limits: Replace the blade, 21.2.
- ▶ If the filing angle is not correct: Sharpen the blade, 21.2.
- ▶ If you have any queries: Contact your STIHL servicing dealer for assistance.

12.3 Testing the Battery

- ▶ Press button on battery. The LEDs glow or flash.
- ▶ If the LEDs do not glow or flash: Do not use the battery and contact your STIHL servicing dealer. There is a malfunction in the battery.

13 Operating the Lawn Mower

13.1 Holding and Controlling the Mower

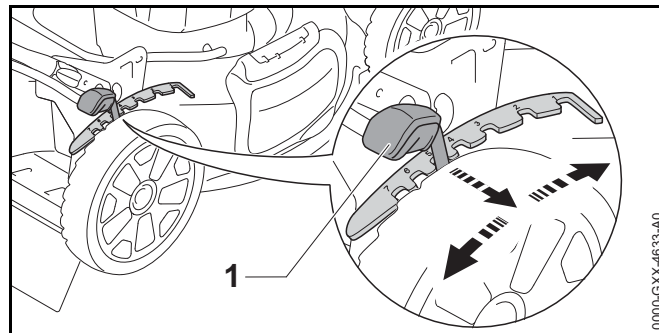


- ▶ Hold the handle firmly with both hands and wrap your thumbs around the handle.

13.2 Adjusting Cutting Height

Seven cutting heights can be selected to suit the application:

- 35 mm = Position 1
- 50 mm = Position 2
- 63 mm = Position 3
- 74 mm = Position 4
- 83 mm = Position 5
- 90 mm = Position 6
- 98 mm = Position 7



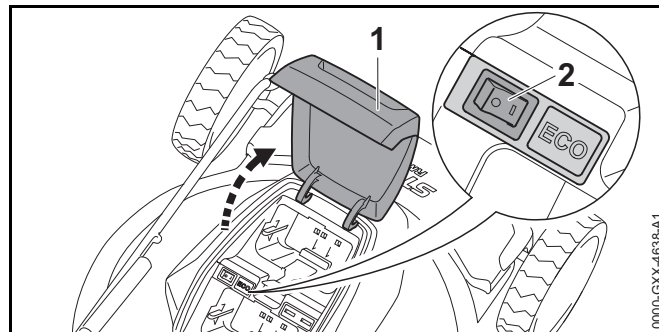
The positions are marked on the mower.

- ▶ Pull the lever (1) out of the notch and move it to the required position.

13.3 Switching on ECO Mode

When the ECO mode is switched on, the mower detects the current operating conditions and automatically selects the most suitable cutting blade speed.

This helps extend the battery runtime.



- ▶ Open the lid (1) as far as stop and hold it there.
- ▶ Set the ECO switch (2) to I.
- ▶ Close the lid (1).

13.4 Mowing and Mulching



- ▶ Push the mower slowly and steadily forwards.

14 After Finishing Work

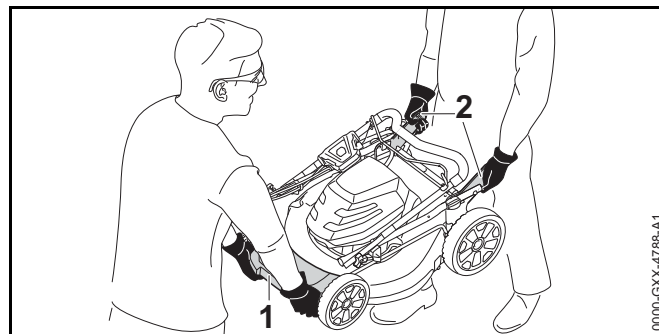
14.1 After Finishing Work

- ▶ Switch off the mower, remove the activation key and battery.
- ▶ If the mower is wet: Allow the mower to dry.
- ▶ If the battery is wet: Allow the battery to dry.
- ▶ Clean the mower
- ▶ Clean the battery.

15 Transporting

15.1 Transporting the Mower

- ▶ Switch off the mower, remove the activation key and battery.
- ▶ Push the mower slowly and steadily forwards.



- ▶ If the mower has to be carried:
 - ▶ Fold down the handle.
 - ▶ Carry the mower with an assistant - hold it firmly with both hands on the front cover (1) and both hands on the brackets (2).
- ▶ Transporting the mower in a vehicle: Make sure the mower cannot turn over or move.

15.2 Transporting the Battery

- ▶ Switch off the mower and remove the battery.
- ▶ Make sure the battery is in a safe condition.
- ▶ Observe the following points when packing the battery:
 - The packaging must be non-conductive.
 - Make sure the battery cannot shift inside the packaging.
- ▶ Secure the packaging so that it cannot move.

The battery is subject to the requirements for the transport of dangerous goods. The battery is classified as UN 3480 (lithium-ion batteries) and has been tested in accordance with UN Manual of Tests and Criteria, Part III, sub-section 38.3.

For transport regulations see www.stihl.com/safety-data-sheets

16 Storing

16.1 Storing the Mower

- ▶ Switch off the mower, remove the activation key and battery.
- ▶ Check the following points when storing the mower:
 - Mower is out of the reach of children.
 - Mower is clean and dry.

16.2 Storing the Battery

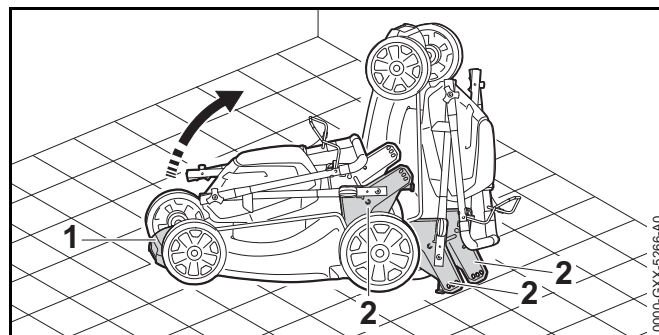
STIHL recommends that you store the battery with a charge between 40% and 60% (2 LEDs glow green).

- ▶ Check the following points when storing the battery:
 - Battery is out of the reach of children.
 - Battery is clean and dry.
 - Battery is in an enclosed location.
 - Battery is stored separately from the mower and charger.
 - Battery is in non-conductive packaging.
 - Battery is in a temperature range between -10°C and $+50^{\circ}\text{C}$.

17 Cleaning

17.1 Standing the Mower on End

- ▶ Switch off the mower, remove the activation key and battery.
- ▶ Place the mower on a flat surface.
- ▶ Set the cutting height to position 6.
- ▶ Fold down the handle.



- ▶ Grip front cover (1) with one hand and the bracket (2) with the other hand.
- ▶ Stand the mower on end with the brackets (2) touching the floor.

17.2 Cleaning the Mower

- ▶ Switch off the mower, remove the activation key and battery.
- ▶ Clean the mower with a damp cloth.
- ▶ Clean rear and side discharge ducts with a soft brush or a damp cloth.
- ▶ Remove foreign matter from the battery compartment and clean the battery compartment with a damp cloth.
- ▶ Clean electrical contacts in the battery compartment with a soft brush.
- ▶ Clean cooling air slots with a soft brush.
- ▶ Stand the mower on end.
- ▶ Clean area around the blade and the blade itself with a soft brush or a damp cloth.

17.3 Cleaning the Battery

- ▶ Clean the battery with a damp cloth.

18 Maintenance

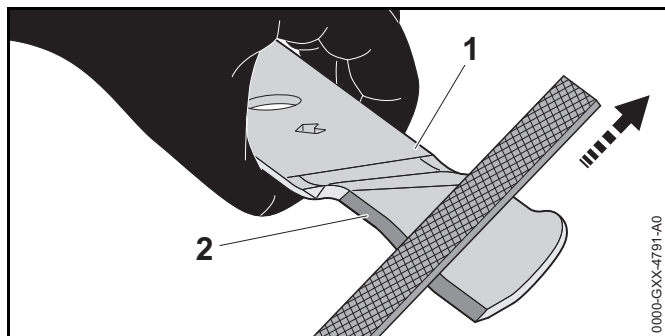
18.1 Sharpening and Balancing the Blade


Correctly sharpening and balancing the blade requires a lot of practice.

STIHL files, filing aids and sharpeners help you sharpen the blade correctly.

STIHL recommends you have the blade resharpened and balanced by a STIHL servicing dealer.

- ▶ Switch off the mower, remove the activation key and battery.
- ▶ Stand the mower on end.
- ▶ Remove the blade.



- ▶ Use a STIHL flat crosscut file to sharpen the cutting edge (1). The file only sharpens on the forward stroke. Maintain the specified sharpening angle,  21.2.
- ▶ Turn the blade (2) over.
- ▶ Sharpen the other cutting edge (1).
- ▶ Mount the blade.
- ▶ If you have any queries: Contact your STIHL servicing dealer for assistance.

19 Repairing

19.1 Repairing the Mower and Battery

The mower, blade and battery cannot be repaired by the user.

- ▶ If the mower or the blade is damaged: Do not use your mower and contact your STIHL servicing dealer for assistance.
- ▶ If the battery has a malfunction or is damaged: Replace the battery.
- ▶ If safety labels are illegible or damaged: Have the labels replaced by a STIHL servicing dealer.

20 Troubleshooting

20.1 Troubleshooting Mower and Battery

Condition	LEDs on Battery	Cause	Remedy
Mower does not run when switched on.	1 LED flashes green	Battery has low charge.	▶ Charge the battery.
	1 LED glows red.	Battery too hot or too cold.	▶ Remove the activation key. ▶ Remove the battery. ▶ Allow battery to cool down / warm up.
	3 LEDs flash red.	There is a malfunction in the mower.	▶ Remove the activation key. ▶ Remove the battery. ▶ Clean contacts in battery compartment. ▶ Fit the battery. ▶ Switch on the mower. ▶ If 3 LEDs continue to flash red: Do not use your mower and contact your STIHL servicing dealer for assistance.
	3 LEDs glow red	Mower is too hot.	▶ Remove the activation key. ▶ Remove the battery. ▶ Allow mower to cool down
	4 LEDs flash red.	There is a malfunction in the battery.	▶ Remove battery and insert it again. ▶ Switch on the mower. ▶ If 4 LEDs continue to flash red: Do not use the battery and contact your STIHL dealer for assistance.
		No electrical contact between mower and battery.	▶ Remove the activation key. ▶ Remove the battery. ▶ Clean contacts in battery compartment. ▶ Insert the activation key. ▶ Fit the battery.
		Mower or battery damp.	▶ Remove the activation key. ▶ Remove the battery. ▶ Clean the mower ▶ Allow mower or battery to dry.

Condition	LEDs on Battery	Cause	Remedy
		Mower blade resistance is too high.	<ul style="list-style-type: none"> ▶ Increase cutting height: ▶ Switch on mower in low grass.
Mower cuts out during operation.	3 LEDs glow red	Mower is too hot.	<ul style="list-style-type: none"> ▶ Remove the activation key. ▶ Remove the battery. ▶ Allow mower to cool down ▶ Clean the mower ▶ Do not switch the mower on and off too often in quick succession. ▶ Walk forwards at a slower rate. ▶ Increase cutting height: ▶ Mow lower grass.
		The blade is blocked.	<ul style="list-style-type: none"> ▶ Remove the activation key. ▶ Remove the battery. ▶ Clean the mower
		There is a electrical malfunction.	<ul style="list-style-type: none"> ▶ Remove battery and insert it again. ▶ Switch on the mower.
Mower runtime is too short		Battery not fully charged.	▶ Fully charge the battery.
		Normal battery life has been exceeded.	▶ Replace the battery.
Charge process does not start when battery is inserted in the charger.	1 LED glows red.	Battery too hot or too cold.	▶ Leave battery in the charger. Charge process starts automatically as soon as permissible temperature range is reached.

21 Specifications

21.1 STIHL RMA 460 Mower

- Approved battery: STIHL AK
- Weight without battery: 25 kg
- Max. grass box capacity: 60 l
- Cutting width: 46 cm
- Speed: 3,200 rpm
- Speed in ECO mode: 2,800 rpm

21.2 Blade

- Thickness: 2.5 mm
- Minimum thickness: 2.0 mm
- Width: 50 mm
- Minimum width: 45 mm
- Sharpening angle: 30°

21.3 STIHL AK Battery

- Battery technology: Lithium-ion
- Voltage: 36 V
- Capacity in Ah: see rating label
- Energy content in Wh: see rating label
- Weight in kg: see rating label
- Permissible temperature range for operation and storage:
-10°C to +50°C

21.4 REACH

REACH is an EC regulation and stands for the Registration, Evaluation, Authorisation and Restriction of Chemical substances.

For information on compliance with the REACH regulation see www.stihl.com/reach.

22 Spare Parts and Accessories

22.1 Spare Parts and Accessories

STIHL® These symbols identify original STIHL replacement parts and original STIHL accessories.

STIHL recommends the use of original STIHL replacement parts and accessories.

Original STIHL replacement parts and original STIHL accessories are available from STIHL servicing dealers.

23 Disposal

23.1 Disposing of Mower and Battery

Information on disposal is available from STIHL servicing dealers.

- ▶ Dispose of the mower, blade, battery, accessories and packaging in accordance with local regulations and environmental requirements.

Índice

1	Prefácio	28	8.2 Dobrar a barra de direção	43
2	Informações sobre este manual de instruções	29	9 Conectar e desconectar a chave de ativação	44
2.1	Documentos complementares aplicáveis	29	9.1 Inserir a chave de ativação	44
2.2	Identificação de avisos no texto	29	9.2 Tirar a chave de ativação	44
2.3	Símbolos no texto	29	10 Inserir e tirar a bateria	44
3	Visão geral	29	10.1 Inserir a bateria	44
3.1	Cortador de grama e bateria	29	10.2 Retirar a bateria	45
3.2	Símbolos	30	11 Ligar e desligar o cortador de grama	45
4	Indicações de segurança	31	11.1 Ligar o cortador de grama	45
4.1	Símbolos de avisos	31	11.2 Desligar o cortador de grama	45
4.2	Utilização prevista	32	12 Verificar o cortador de grama e a bateria	45
4.3	Requisitos aos usuários	32	12.1 Verificar os elementos de manejo	45
4.4	Vestimenta e equipamentos de proteção	33	12.2 Verificar a lâmina de corte	46
4.5	Área de trabalho e arredores	33	12.3 Verificar a bateria	46
4.6	Situação segura de funcionamento	34	13 Trabalhar com o cortador de grama	47
4.7	Trabalho	36	13.1 Segurar e conduzir o cortador de grama	47
4.8	Transporte	37	13.2 Ajustar a altura do corte	47
4.9	Armazenagem	37	13.3 Ligar em modo ECO	47
4.10	Limpeza, manutenção e consertos	38	13.4 Cortar e moer	48
5	Preparar o cortador de grama	39	14 Após o trabalho	48
5.1	Preparar o cortador de grama	39	14.1 Após o trabalho	48
6	Carregar bateria e LEDs	39	15 Transporte	48
6.1	Carregar a bateria	39	15.1 Transportar o cortador de grama	48
6.2	Indicação do nível de carga	39	15.2 Transportar a bateria	48
6.3	LEDs na bateria	40	16 Armazenagem	49
7	Montar o cortador de grama	40	16.1 Guardar o cortador de grama	49
7.1	Montar a barra de direção	40	16.2 Guardar a bateria	49
7.2	Engatar e desengatar o cesto coletor de grama	40	17 Limpeza	49
7.3	Inserir e retirar o kit moedor	40	17.1 Montar o cortador de grama	49
7.4	Engatar e desengatar a guia	41	17.2 Limpar o cortador de grama	49
7.5	Montar e desmontar a lâmina de corte	42	17.3 Limpar a bateria	50
8	Ajustar o cortador de grama para o usuário	42	18 Manutenção	50
8.1	Abrir e ajustar a barra de direção	42	18.1 Afiar e balancear a lâmina de corte	50



Este manual de instruções de serviços está protegido por direitos autorais. Todos os direitos são reservados, especialmente o direito de reprodução, tradução e processamento em sistemas eletrônicos.

19	Consertos	50
19.1	Consertar o cortador de grama e a bateria	50
20	Solucionar distúrbios	51
20.1	Solucionar distúrbios no cortador de grama ou na bateria	51
21	Dados técnicos	53
21.1	Cortador de grama STIHL RMA 460	53
21.2	Lâmina de corte	53
21.3	Bateria STIHL AK	53
21.4	REACH	53
22	Peças de reposição e acessórios	53
22.1	Peças de reposição e acessórios	53
23	Descarte	53
23.1	Descartar o cortador de grama e a bateria	53

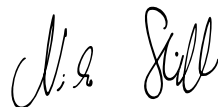
1 Prefácio

Prezado cliente,

Queremos agradecer a sua preferência pela STIHL. Nós desenvolvemos e fabricamos os nossos produtos de qualidade superior, de acordo com as necessidades de nossos clientes. Isto resulta em produtos com alta confiabilidade, mesmo em condições extremas.

A STIHL também se destaca pela excelência em serviços. Nossas Concessionárias garantem assistência técnica especializada e amplo suporte técnico.

Agradecemos a sua confiança e desejamos muita satisfação com seu produto STIHL.



Dr. Nikolas Stihl

Endereço

STIHL Ferramentas Motorizadas Ltda.

Av. São Borja, 3000

93032-524 SÃO LEOPOLDO-RS

Serviço de Atendimento ao Consumidor (SAC):
0800 707 5001

info@stihl.com.br

www.stihl.com.br

CNPJ: 87.235.172/0001-22

**IMPORTANTE! LEIA ANTES DE UTILIZAR E GUARDE
PARA POSTERIOR USO.**

2 Informações sobre este manual de instruções

2.1 Documentos complementares aplicáveis

Observar os regulamentos de segurança locais vigentes.

- ▶ Além desse manual de instruções, ler, entender e guardar os seguintes documentos:
 - Instruções de segurança para baterias STIHL AK
 - Informações sobre segurança para baterias STIHL e produtos com bateria integrada: www.stihl.com/safety-data-sheets

2.2 Identificação de avisos no texto

ATENÇÃO

O aviso indica perigos, que resultam em ferimentos graves ou morte.


- ▶ As medidas mencionadas podem evitar lesões graves ou morte.

AVISO

O aviso indica perigos, que podem levar a danos materiais.

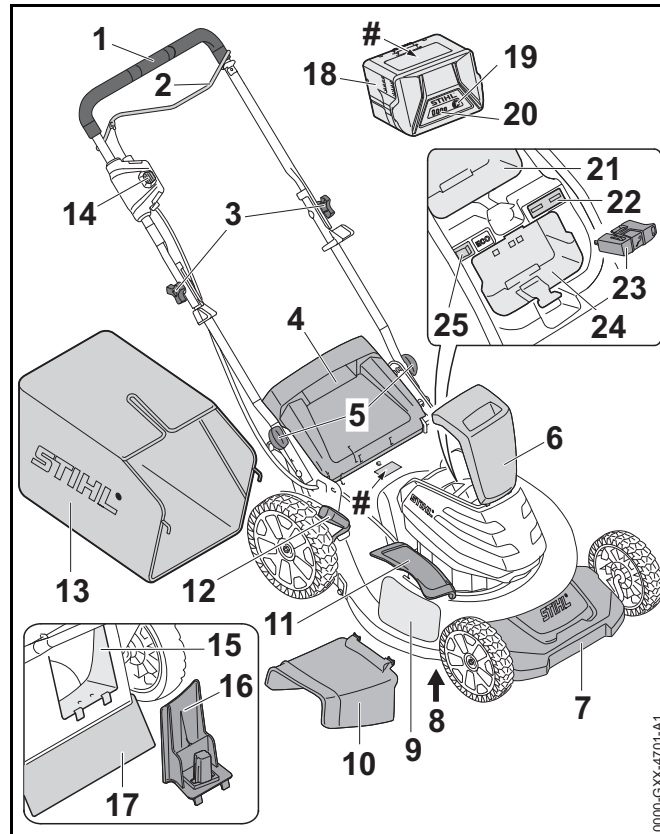
- ▶ As medidas mencionadas podem evitar danos materiais.

2.3 Símbolos no texto

 Este símbolo refere-se a um capítulo neste manual.

3 Visão geral

3.1 Cortador de grama e bateria



1 Barra de direção

A barra de direção serve para segurar, conduzir e transportar o cortador de grama.

2 Haste de comando

A haste de comando, junto com o botão de bloqueio, liga e desliga o cortador de grama.

3 Botão de regulagem

O botão de regulagem fixa a parte superior da barra de direção sobre a parte inferior da barra de direção.

4 Aba de saída

A aba de saída fecha o canal de saída.

5 Botão do cabo

O botão do cabo trava a regulagem da barra de direção.

6 Aba

A aba cobre a bateria, o interruptor ECO e a chave de ativação e protege contra sujeiras.

7 Cobertura

A cobertura cobre e serve para transportar o cortador de grama.

8 Lâmina de corte

A lâmina corta e moe a grama.

9 Canal de saída lateral

O canal de saída lateral guia a grama cortada para o lado.

10 Guia

A guia conduz a grama cortada ao chão.

11 Aba de saída lateral

A aba de saída lateral fecha o canal de saída lateral.

12 Alavanca

A alavanca serve para ajustar a altura do corte.

13 Cesto coletor de grama

O cesto coletor de grama recolhe a grama cortada.

14 Botão de bloqueio

O botão de bloqueio, junto com a haste de comando, liga e desliga o cortador de grama.

15 Canal de saída

O canal de saída guia a grama cortada para dentro do cesto coletor de grama.

16 Kit moedor

O kit moedor fecha o canal de saída.

17 Proteção

A proteção protege o operador de objetos que podem ser arremessados e do contato com a lâmina de corte.

18 Bateria

A bateria alimenta o cortador de grama com energia.

19 Botão de pressão

O botão de pressão ativa os LEDs na bateria.

20 LEDs

Os LEDs indicam a carga da bateria e possíveis falhas.

21 Compartimento da bateria

O compartimento da bateria armazena uma bateria de reposição.

22 Conector da chave

O conector da chave aloja a chave de ativação.

23 Chave de ativação

A chave de ativação ativa o cortador de grama.

24 Compartimento da bateria

O compartimento da bateria armazena a bateria.

25 Interruptor ECO

O interruptor ECO liga e desliga o modo ECO.

Plaqueta de identificação com o número da máquina**3.2 Símbolos**

Estes símbolos podem estar sobre o cortador de grama e da bateria e significam o seguinte:



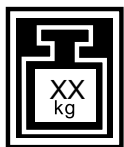
Este símbolo representa a chave de segurança.



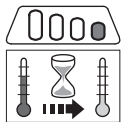
Este símbolo representa a introdução da chave de segurança.



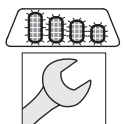
Este símbolo representa o interruptor ECO.



Este símbolo mostra o peso do cortador de grama.



1 LED vermelho aceso. A bateria está muito quente ou muito fria.



4 LEDs vermelhos piscando. Existe um problema na bateria.



O LED verde está aceso e os LEDs na bateria estão acesos ou piscando verde. A bateria está sendo carregada.



O LED pisca em vermelho. Não há contato elétrico entre a bateria e o carregador ou existe um defeito na bateria ou no carregador.



Nível de potência sonora garantido de acordo com a norma 2000/14/EG em dB(A) para tornar as emissões sonoras de produtos comparáveis.



Este símbolo refere-se a uma indicação do número de células e teor de energia, conforme especificação do fabricante da célula. O teor de energia disponível na utilização é menor.



Não descartar o produto no lixo doméstico.

4 Indicações de segurança

4.1 Símbolos de avisos

Os símbolos de aviso colocados sobre o cortador de grama e a bateria significam o seguinte:



Observar as instruções de segurança e suas ações.



Ler, entender e guardar o manual de instruções.



Usar óculos de proteção.



Observar as instruções de segurança sobre objetos arremessados e suas ações.



Não encostar na lâmina de corte em movimento.



Retirar a bateria durante parada de trabalho, transporte, quando guardar a máquina e para trabalhos de conserto e manutenção.



Retirar a chave de segurança durante parada de trabalho, transporte, quando guardar a máquina e para trabalhos de conserto e manutenção.



Manter a distância segura.



Proteger a bateria de calor e fogo.



Proteger a bateria de chuva e umidade e não mergulhá-la em líquidos.



Manter a faixa de temperatura permitida para a bateria.

4.2 Utilização prevista

O cortador de grama STIHL RMA 460 serve para cortar e moer a grama seca.

O cortador de grama não pode ser utilizado na chuva.

A bateria STIHL AK abastece o cortador de grama com energia.

⚠️ ATENÇÃO

- Baterias que não foram liberadas pela STIHL para o cortador de grama, podem causar incêndios e explosões. Pessoas podem sofrer ferimentos graves ou fatais e podem ocorrer danos materiais.
 - ▶ Usar o cortador de grama com uma bateria STIHL AK.
- Se o cortador de grama ou a bateria não forem utilizados conforme especificado, os usuários podem sofrer ferimentos graves ou fatais e podem ocorrer danos materiais.
 - ▶ Usar o cortador de grama e a bateria, conforme descrito no manual de instruções.

4.3 Requisitos aos usuários

⚠️ ATENÇÃO

- Usuários que não foram instruídos, podem não reconhecer ou não avaliar corretamente os perigos do cortador de grama e da bateria. O usuário ou outras pessoas podem sofrer ferimentos graves ou fatais.



- ▶ Ler, entender e guardar o manual de instruções.

- ▶ Se o cortador de grama ou a bateria são passados para outra pessoa: entregar o manual de instruções junto.
- ▶ Em caso de dúvidas: consultar um Ponto de Vendas STIHL.
- ▶ Certificar-se de que o usuário atenda aos seguintes requisitos:
 - O usuário está descansado.
 - O usuário tem capacidades físicas, sensoriais e mentais para usar e trabalhar com o cortador de grama e a bateria. Se o usuário tiver capacidades

físicas, sensoriais ou mentais reduzidas, ele só deve utilizar o equipamento sob supervisão de uma pessoa responsável pela sua segurança.

- O usuário é maior de idade.
- O usuário recebeu instruções de um Ponto de Vendas STIHL ou um técnico, antes de utilizar pela primeira vez o cortador de grama.
- O usuário não está sob efeito de álcool, drogas ou medicamentos.

4.4 Vestimenta e equipamentos de proteção

⚠ ATENÇÃO

- Durante o trabalho, objetos podem ser lançados em alta velocidade. O usuário pode sofrer ferimentos.



- ▶ Usar óculos de proteção firmes. Os óculos de proteção adequados são testados conforme a norma EN 166 ou de acordo com os regulamentos nacionais e podem ser adquiridos no mercado com a respectiva identificação.

- ▶ Usar calças compridas feitas de material resistente.
- Durante o trabalho pode haver formação de poeira, que pode prejudicar o sistema respiratório e causar reações alérgicas.
 - ▶ Usar uma máscara de proteção contra poeira.
- Roupas não apropriadas podem se enroscar na madeira, em arbustos e no cortador de grama. Usuários sem a vestimenta adequada podem sofrer lesões graves.
 - ▶ Usar roupas justas.
 - ▶ Tirar lenços e acessórios.
- Durante o trabalho, o usuário pode entrar em contato com a lâmina de corte em movimento. Ele pode ser gravemente ferido.
 - ▶ Usar calçados feitos de material resistente.
 - ▶ Usar calças compridas feitas de material resistente.

- Durante a limpeza, manutenção ou transporte o usuário pode entrar em contato com a lâmina de corte. O usuário pode sofrer ferimentos.
 - ▶ Usar luvas de proteção feitas de material resistente.
- Se o usuário usar calçados inadequados, ele pode escorregar e sofrer ferimentos.
 - ▶ Usar sapatos firmes com sola antiderrapante.

4.5 Área de trabalho e arredores

4.5.1 Cortador de grama

⚠ ATENÇÃO

- Outras pessoas, crianças e animais podem não conseguir perceber e prever os perigos do cortador de grama e de objetos arremessados pelo mesmo. Outras pessoas, crianças e animais podem sofrer ferimentos graves.



- ▶ Outras pessoas, crianças e animais devem manter uma distância ao redor da área de trabalho em um raio de 15 m.

- ▶ Manter uma distância de 15 m de objetos.
- O cortador de grama não é à prova de água. Se for colocado em funcionamento na chuva ou em ambientes úmidos, podem ocorrer choques elétricos. O usuário pode sofrer ferimentos graves e o cortador de grama pode ser danificado.



- ▶ Não trabalhar na chuva e em ambientes úmidos.

- ▶ Não cortar nem moer grama molhada.
- O motor elétrico do cortador de grama pode gerar faíscas, que podem desencadear incêndios e explosões em ambientes altamente inflamáveis e explosivos. As pessoas podem sofrer ferimentos graves ou fatais e podem ocorrer danos materiais.
 - ▶ Não trabalhar em ambientes com risco de incêndio ou explosão.

4.5.2 Bateria

⚠ ATENÇÃO

- Crianças não conseguem perceber e prever os perigos da bateria e por isso elas podem sofrer ferimentos graves.
 - ▶ Manter as crianças afastadas.

- A bateria não está protegida contra todos os agentes externos. Se a bateria for exposta a determinadas condições ambientais adversas, ela pode pegar fogo ou explodir. As pessoas podem ser gravemente feridas e pode haver danos materiais.



- ▶ Proteger a bateria de calor e fogo.
- ▶ Não jogar a bateria no fogo.



- ▶ Utilizar e guardar a bateria numa faixa de temperatura entre - 10 °C e + 50 °C.



- ▶ Proteger a bateria de chuva e umidade e não mergulhá-la em líquidos.

- ▶ Manter a bateria longe de objetos metálicos.
- ▶ Não expor a bateria à alta pressão.
- ▶ Não expor a bateria a microondas.
- ▶ Proteger a bateria contra produtos químicos e sais.

4.6 Situação segura de funcionamento

4.6.1 Cortador de grama

O cortador de grama está em condições seguras, se forem atendidos os seguintes requisitos:

- o cortador de grama não está danificado
- o cortador de grama está limpo e seco
- os elementos de manejo estão funcionando e não foram alterados

- se for cortada grama e ela tiver que ser coletada no cesto coletor de grama: o kit moedor deve ser retirado, a guia deve ser desengatada e o cesto coletor de grama deve ser engatado corretamente
- se for cortada grama e ela tiver que ser conduzida para o lado no chão: o cesto coletor de grama deve estar desengatado, o kit moedor deve estar inserido corretamente e a guia deve estar engatada corretamente
- se for moído: a guia e o cesto coletor de grama devem estar desengatados e o kit moedor deve estar inserido corretamente
- a lâmina de corte está montada corretamente
- a proteção está montada corretamente
- foram montadas somente peças de reposição STIHL no cortador de grama
- os acessórios foram montados corretamente



⚠ ATENÇÃO

- Em condições não seguras, alguns componentes podem não funcionar corretamente e dispositivos de segurança podem ser desativados. As pessoas podem sofrer ferimentos graves ou fatais.
 - ▶ Não trabalhar com um cortador de grama danificado.
 - ▶ Se o cortador de grama estiver sujo ou molhado: limpar o cortador de grama e deixá-lo secar.
 - ▶ Não modificar o cortador de grama.
 - ▶ Se os elementos de manejo não estiverem funcionando: não trabalhar com o cortador de grama.
 - ▶ Se for cortada grama e ela tiver que ser coletada no cesto coletor: retirar o kit moedor, desengatar a guia e engatar o cesto coletor, conforme descrito neste manual de instruções.
 - ▶ Se for cortada grama e ela tiver que ser conduzida para o lado no chão: desengatar o cesto coletor de grama, inserir o kit moedor e engatar a guia, conforme descrito neste manual de instruções.

- ▶ Se for moído: desengatar a guia e o cesto coletor de grama e inserir o kit moedor, conforme descrito neste manual de instruções.
- ▶ Montar somente acessórios originais STIHL nesse cortador de grama.
- ▶ Montar a lâmina de corte, conforme descrito neste manual de instruções.
- ▶ Montar os acessórios, conforme descrito neste manual de instruções ou no manual de instruções do acessório.
- ▶ Não inserir objetos nas aberturas do cortador de grama.
- ▶ Não conectar objetos metálicos no conector da chave.
- ▶ Em caso de dúvidas: consultar um Ponto de Vendas STIHL.

4.6.2 Lâmina de corte

A lâmina de corte está em condições seguras de funcionamento, se as seguintes condições forem atendidas:

- a lâmina de corte e as peças de montagem não estão danificadas
- a lâmina de corte não está deformada
- a lâmina de corte está montada corretamente
- a lâmina de corte está afiada corretamente
- a lâmina de corte está sem rebarbas
- A espessura mínima e a largura mínima da lâmina de corte não são inferiores aos valores mínimos,  21.2.
- O ângulo de afiação foi mantido,  21.2.

ATENÇÃO

- Em condições não seguras, podem se soltar partes da lâmina de corte e serem lançadas sobre o operador. As pessoas podem sofrer ferimentos graves.
 - ▶ Trabalhar com uma lâmina de corte e com peças de montagem que não estejam danificadas.
 - ▶ Afiar a lâmina de corte corretamente.

- ▶ Se a espessura mínima e a largura mínima da lâmina de corte estiverem inferiores aos valores mínimos: substituir a lâmina de corte.
- ▶ Procurar um Ponto de Vendas STIHL para fazer balanceamento na lâmina de corte.
- ▶ Em caso de dúvidas: consultar um Ponto de Vendas STIHL.

4.6.3 Bateria

A bateria está em condições seguras, se forem atendidos os seguintes requisitos:

- ela não está danificada
- ela está limpa e seca
- ela está funcionando corretamente e não foi modificada

ATENÇÃO

- Em condições não seguras, a bateria não pode funcionar com segurança. As pessoas podem sofrer ferimentos graves.
 - ▶ Trabalhar com uma bateria sem danos e que esteja funcionando corretamente.
 - ▶ Não carregar uma bateria danificada ou com defeito.
 - ▶ Se a bateria estiver suja ou molhada: limpar a bateria e deixá-la secar.
 - ▶ Não modificar a bateria.
 - ▶ Não inserir objetos nas fendas da bateria.
 - ▶ Não conectar contatos elétricos da bateria com objetos metálicos.
 - ▶ Não abrir a bateria.
- Quando uma bateria estiver danificada, pode haver vazamento de um líquido. Se esse líquido entrar em contato com a pele ou com os olhos, ele pode causar irritação.
 - ▶ Evitar contato com o líquido.
 - ▶ Se ocorrer contato com a pele: lavar a parte afetada com bastante água e sabão.

- ▶ Se ocorrer contato com os olhos: lavá-los pelo menos por 15 minutos com bastante água e consultar um médico.
- Uma bateria danificada ou com defeito pode ter cheiro incomum, emitir fumaça ou queimar. As pessoas podem sofrer ferimentos graves ou fatais e podem ocorrer danos materiais.
 - ▶ Se a bateria exalar um odor diferente ou estiver emitindo fumaça: não usar a bateria e mantê-la afastada de materiais inflamáveis.
 - ▶ Se a bateria estiver em chamas: tentar apagar o fogo com um extintor de incêndio ou com água.

4.7 Trabalho

▲ ATENÇÃO

- Em determinadas situações, o usuário não pode mais concentrar-se no trabalho. Ele pode tropeçar, cair e sofrer ferimentos graves.
 - ▶ Trabalhar com calma e concentração.
 - ▶ Se as condições de iluminação e visibilidade não forem boas: não trabalhar com o cortador de grama.
 - ▶ Trabalhar sozinho com o cortador de grama.
 - ▶ Cuidar com obstáculos.
 - ▶ Trabalhar de pé no chão e manter o equilíbrio.
 - ▶ Se houver sinais de cansaço: fazer uma pausa no trabalho.
 - ▶ Se for cortar em uma encosta: cortar na transversal.
 - ▶ Não cortar em terrenos irregulares.
- A ferramenta de corte em rotação pode cortar o usuário. O usuário pode ser gravemente ferido.



- ▶ Não tocar na ferramenta de corte em rotação
- ▶ Quando a lâmina de corte estiver bloqueada por um objeto: desligar o cortador de grama, tirar a chave de segurança e a bateria. Somente depois eliminar a causa do bloqueio.
- Se o cortador de grama tiver comportamento alterado ou anormal durante o trabalho, ele pode estar operando em condições inseguras. As pessoas podem sofrer ferimentos graves e podem ocorrer danos materiais.
 - ▶ Interromper o trabalho, retirar a chave de ativação, retirar a bateria e procurar um Ponto de Vendas STIHL.
- Durante o trabalho podem ocorrer vibrações no cortador de grama.
 - ▶ Usar luvas de proteção.
 - ▶ Fazer pausas no trabalho.
 - ▶ Se ocorrerem sinais de problemas circulatórios: consultar um médico.
- Após soltar a alavanca do acelerador, a ferramenta de corte pode continuar girando por um curto período. As pessoas podem sofrer ferimentos graves.
 - ▶ Aguardar, até que a ferramenta de corte esteja parada.
- Se uma lâmina de corte em movimento encostar em um objeto duro, pode haver formação de faíscas, que em contato com materiais facilmente inflamáveis podem pegar fogo em determinadas circunstâncias. Pessoas podem sofrer ferimentos graves ou fatais e podem ocorrer danos materiais.
 - ▶ Não trabalhar em uma área facilmente inflamável.

⚠ PERIGO

- Se o trabalho tiver que ser realizado em áreas com cabos elétricos, a lâmina pode entrar em contato com os cabos. O usuário pode sofrer ferimentos graves ou fatais.
 - ▶ Não trabalhar em áreas com cabos elétricos.
- Se o trabalho for realizado durante um temporal, o usuário pode ser atingido por um raio. O usuário pode sofrer ferimentos graves ou fatais.
 - ▶ Se tiver temporal: não trabalhar.

4.8 Transporte

4.8.1 Cortador de grama

⚠ ATENÇÃO

- Durante o transporte, o cortador de grama pode cair ou se movimentar. As pessoas podem sofrer ferimentos e podem ocorrer danos materiais.



- ▶ Tirar a chave de ativação.



- ▶ Retirar a bateria.

- ▶ Firmar o cortador de grama com cordas ou cintas, de forma que não possa cair ou se mover.
- O cortador de grama é pesado. Se o usuário carregar o cortador de grama sozinho, ele pode se lesionar.
 - ▶ O cortador de grama deve ser carregado por duas pessoas.

4.8.2 Bateria

⚠ ATENÇÃO

- A bateria não está protegida contra todos os agentes externos. Se a bateria for exposta a determinadas condições ambientais adversas, ela pode ser danificada e pode haver danos materiais.
 - ▶ Não transportar uma bateria danificada.
 - ▶ Transportar a bateria numa embalagem que não seja condutora de eletricidade.
- Durante o transporte a bateria pode cair ou se mover. As pessoas podem sofrer ferimentos e pode haver danos materiais.
 - ▶ Acondicionar a bateria na embalagem, de forma que ela não possa se mover.
 - ▶ Fixar a embalagem de tal forma, que ele não possa se mover.

4.9 Armazenagem

4.9.1 Cortador de grama

⚠ ATENÇÃO

- Crianças não conseguem perceber e prever os perigos do cortador de grama. Elas podem sofrer ferimentos graves.



- ▶ Tirar a chave de ativação.



- ▶ Retirar a bateria.

- ▶ Guardar o cortador de grama fora do alcance de crianças.
- Os contatos elétricos no cortador de grama e componentes metálicos podem sofrer corrosão, devido à umidade. O cortador de grama pode ser danificado.



- ▶ Tirar a chave de ativação.



- ▶ Retirar a bateria.

- ▶ Guardar o cortador de grama limpo e seco.

4.9.2 Bateria

⚠ ATENÇÃO

- Crianças não percebem e não conseguem avaliar os perigos do cortador de grama e elas podem sofrer ferimentos graves.
 - ▶ Guardar a bateria fora do alcance de crianças.
- A bateria não está protegida contra todos os agentes externos. Se a bateria for exposta a determinadas condições ambientais adversas, ela pode ser danificada.
 - ▶ Guardar a bateria limpa e seca.
 - ▶ Guardar a bateria em um local fechado.
 - ▶ Guardar a bateria separadamente do cortador de grama e do carregador.
 - ▶ Guardar a bateria em uma embalagem que não seja condutora de eletricidade.
 - ▶ Guardar a bateria em uma temperatura entre - 10 °C e + 50 °C.

4.10 Limpeza, manutenção e consertos

⚠ ATENÇÃO

- Se durante a limpeza, manutenção e conserto, a chave de ativação e a bateria estiverem inseridas na máquina, o cortador de grama pode ser ligado involuntariamente. As pessoas podem sofrer ferimentos graves e podem ocorrer danos materiais.



- ▶ Tirar a chave de ativação.



- ▶ Retirar a bateria.

- Produtos de limpeza abrasivos, lavadora de alta pressão e objetos cortantes podem danificar o cortador de grama, a lâmina de corte e a bateria. Se o cortador de grama, a lâmina de corte e a bateria não forem limpos de forma correta, alguns componentes podem não funcionar mais corretamente e dispositivos de segurança podem ser desativados. As pessoas podem sofrer ferimentos graves.
 - ▶ Limpar o cortador de grama, a lâmina de corte e a bateria, conforme descrito neste manual de instruções.
- Se o cortador de grama, a lâmina de corte e a bateria não receberem manutenção ou não forem consertados corretamente, alguns componentes podem não funcionar corretamente e dispositivos de segurança podem ser desativados. As pessoas podem sofrer ferimentos graves ou fatais.
 - ▶ Não fazer manutenção ou consertar o cortador de grama e a bateria por conta própria.
 - ▶ Se o cortador de grama ou a bateria precisarem de manutenção ou conserto: consultar um Ponto de Vendas STIHL.
 - ▶ Fazer manutenção na lâmina de corte, conforme descrito neste manual de instruções de serviços.
- Durante a limpeza, manutenção ou conserto da lâmina de corte, o usuário pode se cortar nos gumes afiados da lâmina de corte e sofrer ferimentos.
 - ▶ Usar luvas de proteção feitas de material resistente.

5 Preparar o cortador de grama

5.1 Preparar o cortador de grama

Antes de iniciar o trabalho, sempre realizar as seguintes etapas:

- ▶ Certificar-se de que os seguintes componentes estão em condições seguras de uso:
 - Cortador de grama, 4.6.1.
 - Lâmina de corte, 4.6.2.
 - Bateria, 4.6.3.
- ▶ Verificar a bateria, 12.3.
- ▶ Carregar totalmente a bateria, 6.1.
- ▶ Limpar o cortador de grama, 17.2.
- ▶ Verificar a lâmina de corte, 12.2.
- ▶ Montar a barra de direção, 7.1.
- ▶ Abrir e ajustar a barra de direção, 8.1.
- ▶ Se for cortada grama e ela for coletada no cesto coletor de grama:
 - ▶ Desengatar a guia, 7.3.2.
 - ▶ Retirar o kit moedor, 7.3.2.
 - ▶ Engatar o cesto coletor de grama, 7.2.1.
- ▶ Se for cortada grama e ela tiver que ser conduzida para o lado no chão:
 - ▶ Retirar o kit moedor, 7.3.2.
 - ▶ Desengatar o cesto coletor de grama, 7.2.2.
 - ▶ Engatar a guia, 7.4.1.
- ▶ Se tiver que ser moído:
 - ▶ Desengatar a guia, 7.4.2.
 - ▶ Desengatar o cesto coletor de grama, 7.2.2.
 - ▶ Engatar o kit moedor, 7.3.1.
- ▶ Ajustar a altura do corte, 13.2.
- ▶ Verificar os elementos de manejo, 12.1.

- ▶ Se durante a verificação dos elementos de manejo, 3 LEDs vermelhos estiverem piscando: tirar a chave de ativação, retirar a bateria e procurar um Ponto de Vendas STIHL.
Existe um distúrbio no cortador de grama.
- ▶ Se as etapas não podem ser realizadas: não utilizar o cortador de grama e consultar um Ponto de Vendas STIHL.

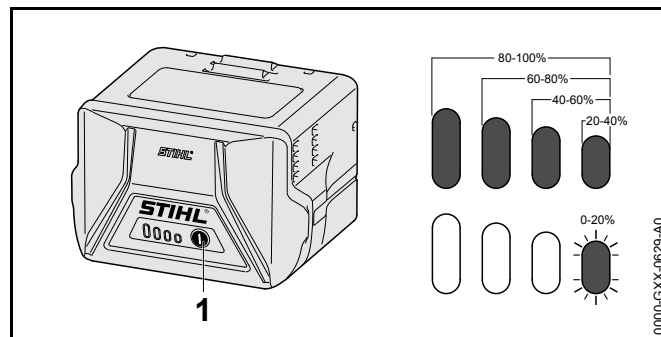
6 Carregar bateria e LEDs

6.1 Carregar a bateria

O tempo de carga depende de vários fatores, como a temperatura da bateria ou do ambiente. O tempo de carga real pode ser diferente do tempo de carga especificado. O tempo de carga é especificado em www.stihl.com/charging-times.

- ▶ Carregar a bateria, conforme descrito no manual de instruções do carregador STIHL AL 101, 300, 500.

6.2 Indicação do nível de carga



- ▶ Pressionar o botão (1).
Os LEDs verdes acendem por aproximadamente 5 segundos e mostram o nível de carga.
- ▶ Se o LED verde, direito estiver piscando: carregar a bateria.

6.3 LEDs na bateria

Os LEDs podem indicar a carga da bateria ou possíveis distúrbios. Os LEDs podem estar acesos ou piscando na cor verde ou vermelha.

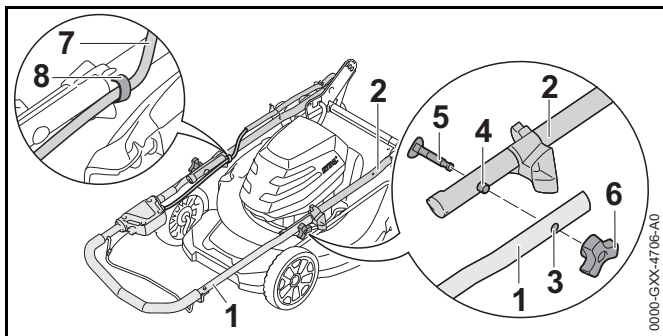
Se os LEDs verdes estiverem acesos ou piscando, é indicado o estado da carga da bateria.

- ▶ Se os LEDs vermelhos estiverem acesos ou piscando: solucionar distúrbios, 20.1. Existe um distúrbio no cortador de grama ou na bateria.

7 Montar o cortador de grama

7.1 Montar a barra de direção

- ▶ Desligar o cortador de grama, tirar a chave de segurança e retirar a bateria.
- ▶ Colocar o cortador de grama sobre uma superfície plana.



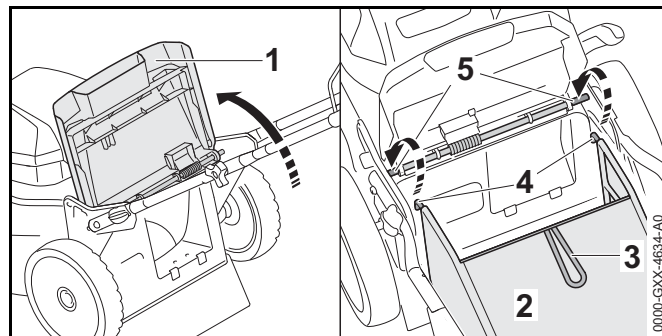
- ▶ Montar a parte superior da barra de direção (1) e a parte inferior da barra de direção (2), para que em ambos os lados o pino (4) se encaixe no furo (3).
- ▶ Colocar o parafuso (5) de tal forma que em ambos os lados a cabeça do parafuso esteja ajustada precisamente na parte inferior da barra de direção (2).
- ▶ Soltar a porca de punho estrelado (6).
- ▶ Pressionar o cabo (7) no suporte (8).

A barra de direção não precisa ser desmontada novamente.

7.2 Engatar e desengatar o cesto coletor de grama

7.2.1 Engatar o cesto coletor de grama

- ▶ Desligar o cortador de grama, tirar a chave de segurança e retirar a bateria.
- ▶ Colocar o cortador de grama sobre uma superfície plana.
- ▶ Caso a guia esteja engatada: desengatar a guia.
- ▶ Caso o kit moedor esteja inserido: retirar o kit moedor.



- ▶ Abrir e segurar a aba de saída (1).
- ▶ Segurar o cesto coletor de grama (2) no pegador (3) e engatar os ganchos (4) no eixo (5).
- ▶ Deitar a aba de saída (1) em cima do cesto coletor de grama (2).

7.2.2 Desengatar o cesto coletor de grama

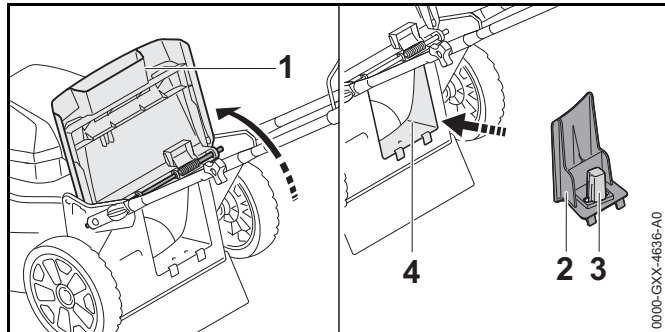
- ▶ Desligar o cortador de grama, tirar a chave de segurança e retirar a bateria.
- ▶ Colocar o cortador de grama sobre uma superfície plana.
- ▶ Abrir e segurar a aba de saída.
- ▶ Retirar o cesto coletor de grama, levantando o pegador.
- ▶ Fechar a aba de saída.

7.3 Inserir e retirar o kit moedor

7.3.1 Inserir o kit moedor

- ▶ Desligar o cortador de grama, tirar a chave de segurança e retirar a bateria.

- ▶ Colocar o cortador de grama sobre uma superfície plana.



- ▶ Abrir e segurar a aba de saída (1).
- ▶ Segurar o kit moedor (2) no pegador (3) e engatar no canal de saída (4).
- ▶ Fechar a aba de saída (1).

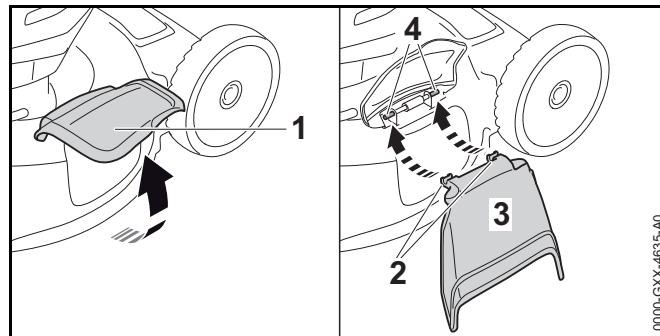
7.3.2 Retirar o kit moedor

- ▶ Desligar o cortador de grama, tirar a chave de segurança e retirar a bateria.
- ▶ Colocar o cortador de grama sobre uma superfície plana.
- ▶ Abrir e segurar a aba de saída.
- ▶ Retirar o kit moedor de grama.
- ▶ Fechar a aba de saída.

7.4 Engatar e desengatar a guia

7.4.1 Engatar a guia

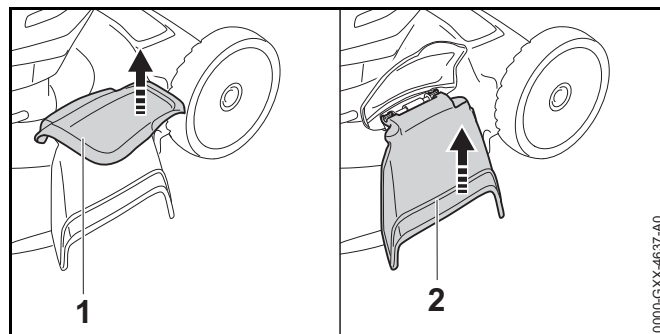
- ▶ Desligar o cortador de grama, tirar a chave de segurança e retirar a bateria.
- ▶ Colocar o cortador de grama sobre uma superfície plana.



- ▶ Abrir e segurar a aba de saída lateral (1).
- ▶ Engatar os ganchos (2) por baixo no eixo (4).
- ▶ Deitar a aba de saída lateral (1) sobre a guia (3).

7.4.2 Desengatar a guia

- ▶ Desligar o cortador de grama, tirar a chave de segurança e retirar a bateria.
- ▶ Colocar o cortador de grama sobre uma superfície plana.

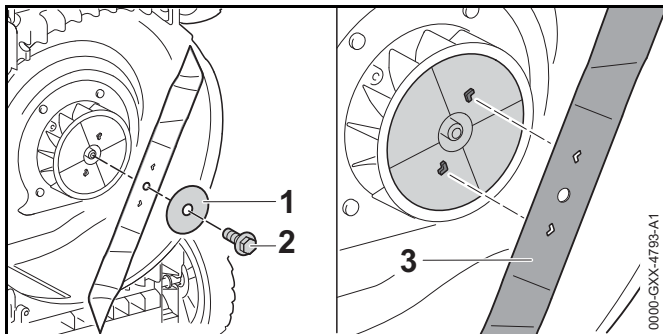


- ▶ Abrir e segurar a aba de saída lateral (1).
- ▶ Levantar a guia (2) e retirá-la.
- ▶ Fechar a aba de saída lateral (1).

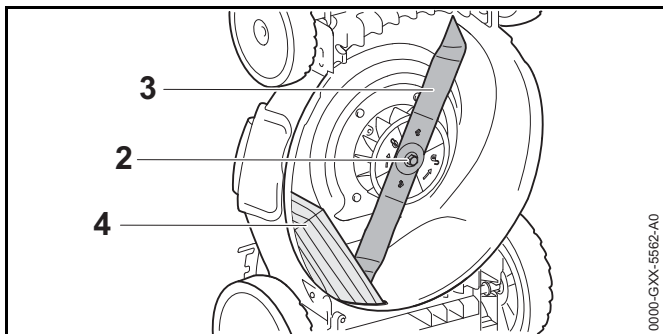
7.5 Montar e desmontar a lâmina de corte

7.5.1 Montar a lâmina de corte

- ▶ Desligar o cortador de grama, tirar a chave de ativação e retirar a bateria.
- ▶ Posicionar o cortador de grama.



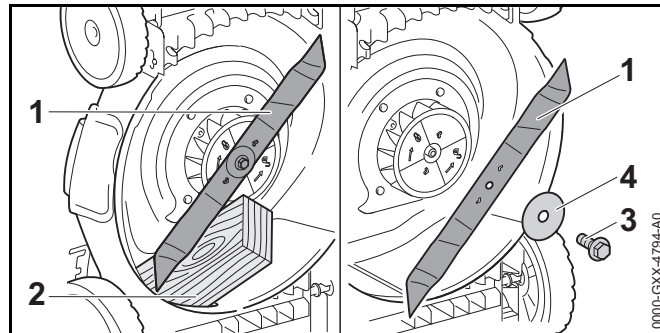
- ▶ Colocar a arruela (1) sobre o parafuso (2).
- ▶ Lubrificar o parafuso (2) com Loctite 243 ou Loctite 242.
- ▶ Posicionar a lâmina de corte (3), de forma que as saliências na superfície de apoio (4) encaixem nos rebaiços da lâmina de corte (3).



- ▶ Colocar o parafuso (2) junto com a arruela (1).
- ▶ Bloquear a lâmina de corte (3) com um calço de madeira (4).
- ▶ Apertar firmemente o parafuso (2).

7.5.2 Desmontar a lâmina de corte

- ▶ Desligar o cortador de grama, tirar a chave de ativação e retirar a bateria.
- ▶ Posicionar o cortador de grama.

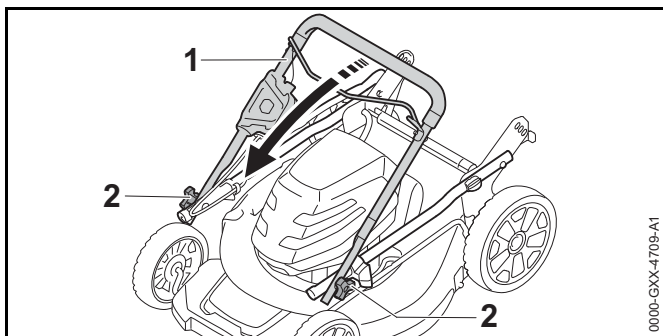


- ▶ Bloquear a lâmina de corte (1) com um calço de madeira (2).
- ▶ Tirar o parafuso (3).
- ▶ Retirar a arruela (4).
- ▶ Retirar a lâmina de corte (1).

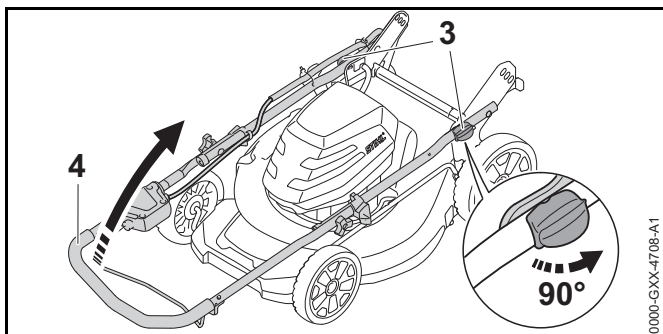
8 Ajustar o cortador de grama para o usuário

8.1 Abrir e ajustar a barra de direção

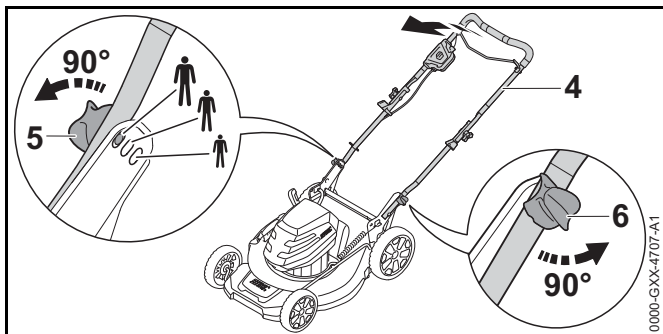
- ▶ Desligar o cortador de grama, tirar a chave de ativação e retirar a bateria.
- ▶ Colocar o cortador de grama sobre uma superfície plana.



- ▶ Abrir a barra de direção superior (1).
- ▶ Apertar os botões de regulagem (2).



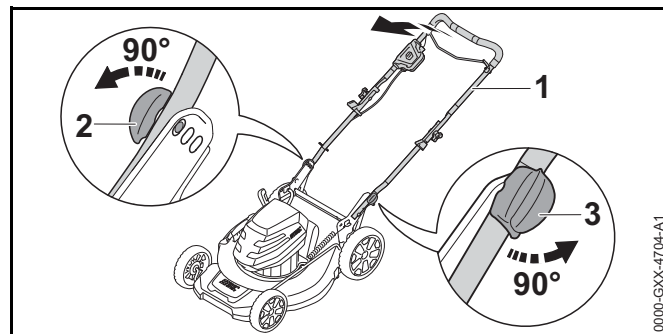
- ▶ Girar a alavanca (3) em 90°.
- ▶ Abrir completamente a barra de direção (4).



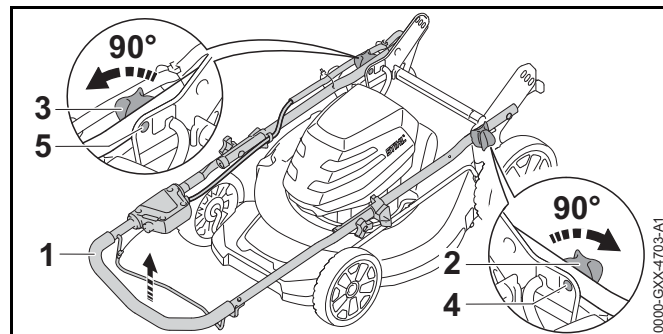
- ▶ Posicionar a barra de direção (4), de forma que os pinos da alavanca (5 e 6) fiquem alinhados nas posições desejadas.
- ▶ Girar a alavanca (5 e 6) em 90°.
Os pinos da alavanca (5 e 6) engatam nos furos na mesma altura.

8.2 Dobrar a barra de direção

- ▶ Desligar o cortador de grama, tirar a chave de ativação e retirar a bateria.
- ▶ Colocar o cortador de grama sobre uma superfície plana.

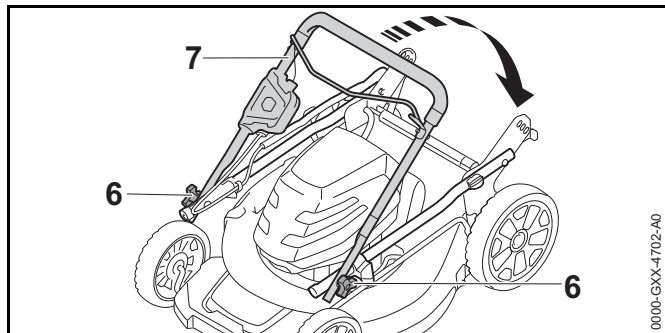


- ▶ Segurar a barra de direção (1) e girar o botão do cabo (2) em 90°.
- ▶ Girar o botão do cabo (3) em 90°.
- ▶ Dobrar a barra de direção (1).



- ▶ Girar os dois botões do cabo (2 e 3) em 90°.

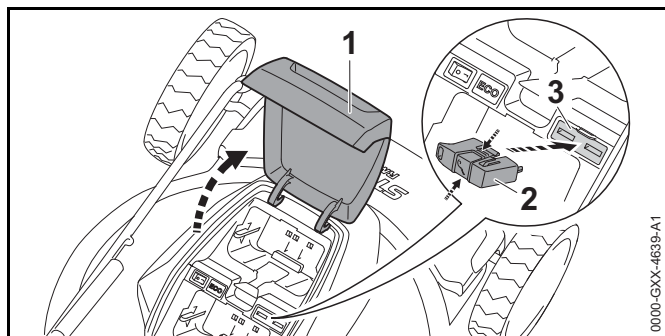
- ▶ Pressionar a barra de direção (1) para cima, até que os pinos (4 e 5) dos botões do cabo (2 e 3) engatem. A barra de direção (1) está fixada.



- ▶ Soltar os botões de regulagem (6).
- ▶ Dobrar a parte superior da barra de direção (7).

9 Conectar e desconectar a chave de ativação

9.1 Inserir a chave de ativação



- ▶ Abrir a aba (1) até o encosto e segurá-la.
- ▶ Pressionar a chave de ativação (2) e mantê-la pressionada.
- ▶ Inserir a chave de ativação (2) no conector da chave (3). A chave de ativação (2) encaixa com um clique.
- ▶ Fechar a aba (1).

9 Conectar e desconectar a chave de ativação

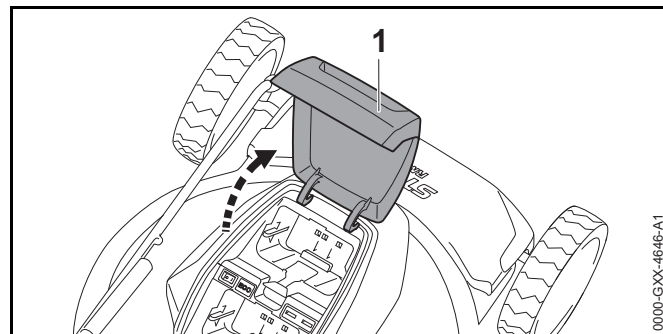
9.2 Tirar a chave de ativação

- ▶ Abrir a aba até o encosto e segurá-la.
- ▶ Pressionar a chave de ativação e mantê-la pressionada.
- ▶ Tirar a chave de ativação.
- ▶ Fechar a aba.
- ▶ Guardar a chave de ativação fora do alcance de crianças.

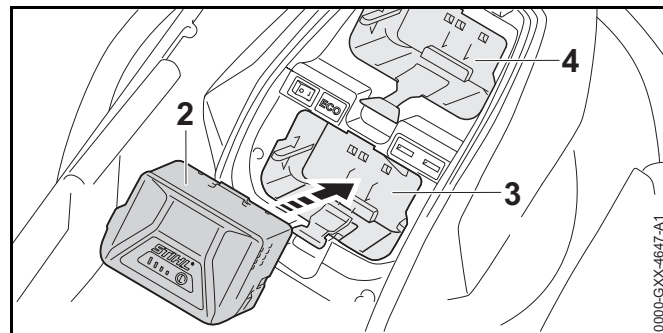
10 Inserir e tirar a bateria

10.1 Inserir a bateria

O cortador de grama é equipado com dois compartimentos para bateria. É possível levar uma bateria de reposição.



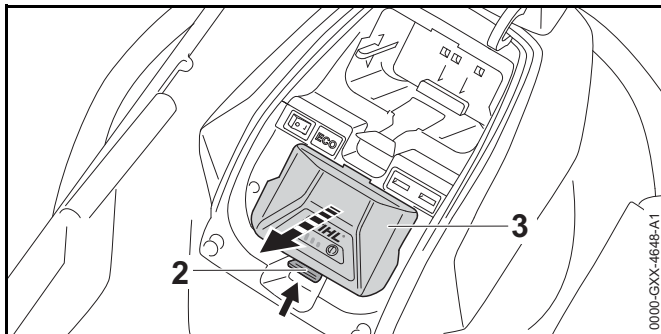
- ▶ Abrir a aba (1) até o encosto e segurá-la.



- ▶ Pressionar a bateria (2) até o encosto do compartimento da bateria (3).
A bateria (2) encaixa com um clique.
- ▶ Caso seja necessário levar uma bateria de reposição: Inserir a bateria de reposição no compartimento da bateria (4).
A bateria encaixa com um clique.
- ▶ Fechar a aba (1).

10.2 Retirar a bateria

- ▶ Colocar o cortador de grama sobre uma superfície plana.
- ▶ Abrir a aba (1) até o encosto e segurá-la.

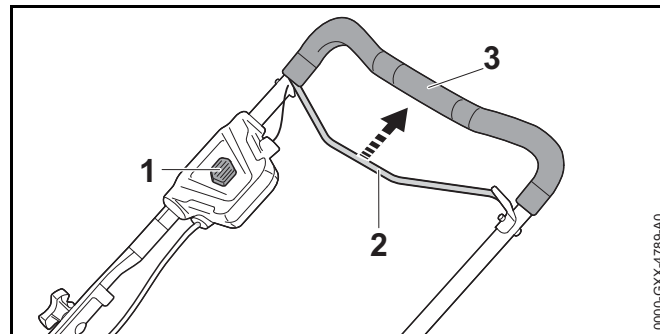


- ▶ Pressionar a alavanca de bloqueio (2).
A bateria (3) é desbloqueada e pode ser retirada.
- ▶ Fechar a aba (1).

11 Ligar e desligar o cortador de grama

11.1 Ligar o cortador de grama

- ▶ Colocar o cortador de grama sobre uma superfície plana.



- ▶ Pressionar o botão de bloqueio (1) com a mão direita e mantê-lo pressionado.
- ▶ Puxar a haste de comando (2) com a mão esquerda totalmente em direção da barra de direção (3) e segurá-la, de forma que o polegar envolva a barra de direção (3). O cortador de grama acelera e a lâmina de corte gira.
- ▶ Soltar o botão de bloqueio (1).
- ▶ Segurar a barra de direção (3) e a haste de comando (2) com a mão direita, de forma que o polegar envolva a barra de direção (3).

11.2 Desligar o cortador de grama

- ▶ Soltar a haste de comando.
- ▶ Aguardar, até que a lâmina de corte não gire mais.
- ▶ Se a lâmina de corte continuar girando: tirar a chave de ativação, retirar a bateria e consultar um Ponto de Vendas STIHL.
O cortador de grama está com defeito.

12 Verificar o cortador de grama e a bateria

12.1 Verificar os elementos de manejo

Botão de bloqueio e haste de comando

- ▶ Tirar a chave de ativação.
- ▶ Retirar a bateria.

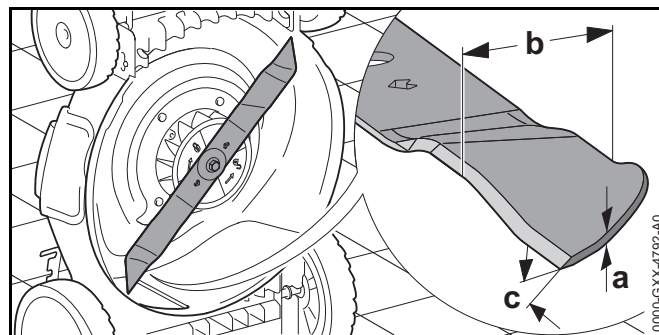
- ▶ Pressionar o botão de bloqueio e soltá-lo novamente.
- ▶ Puxar a haste de comando completamente em direção da barra de direção e soltá-la novamente.
- ▶ Se o botão de bloqueio ou a haste de comando se movimentarem com dificuldade ou não retornarem para a posição inicial: não utilizar o cortador de grama e procurar um Ponto de Vendas STIHL.
O botão de bloqueio ou a haste de comando estão com defeito.

Ligar o cortador de grama

- ▶ Inserir a chave de ativação.
- ▶ Colocar a bateria.
- ▶ Pressionar o botão de bloqueio com a mão direita e mantê-lo pressionado.
- ▶ Puxar a haste de comando com a mão esquerda completamente em direção da barra de direção e segurá-la, de forma que o polegar envolva a barra de direção. O cortador de grama acelera e a lâmina de corte gira.
- ▶ Se 3 LEDs vermelhos estiverem piscando: tirar a chave de ativação, retirar a bateria e consultar um Ponto de Vendas STIHL.
Existe um distúrbio no cortador de grama.
- ▶ Soltar o botão de bloqueio e a haste de comando. A lâmina de corte não gira mais, após breve período.
- ▶ Se a lâmina continuar girando: tirar a chave de ativação, retirar a bateria e consultar um Ponto de Vendas STIHL. O cortador de grama está com defeito.

12.2 Verificar a lâmina de corte

- ▶ Desligar o cortador de grama, tirar a chave de ativação e retirar a bateria.
- ▶ Ajustar a altura de corte na posição 6.
- ▶ Dobrar a barra de direção.
- ▶ Posicionar o cortador de grama.



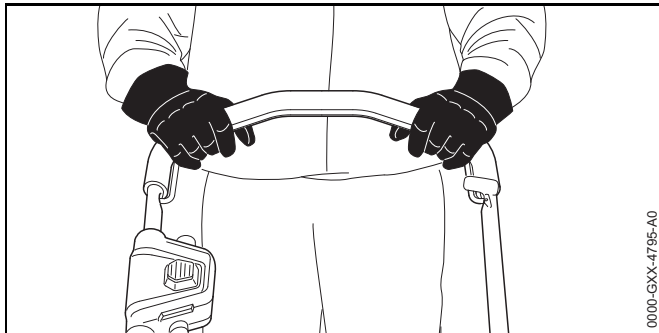
- ▶ Medir o seguinte:
 - espessura a
 - largura b
 - ângulo de afiação c
- ▶ Se a espessura mínima ou a largura mínima não for alcançada: substituir a lâmina de corte, 21.2.
- ▶ Se o ângulo de afiação não for cumprido: afiar a lâmina de corte, 21.2.
- ▶ Em caso de dúvidas: consultar um Ponto de Vendas STIHL.

12.3 Verificar a bateria

- ▶ Pressionar o botão de pressão na bateria. Os LEDs acendem ou piscam.
- ▶ Se os LEDs não acenderem ou piscarem: não utilizar a bateria e consultar uma Concessionária STIHL. Existe uma falha na bateria.

13 Trabalhar com o cortador de grama

13.1 Segurar e conduzir o cortador de grama

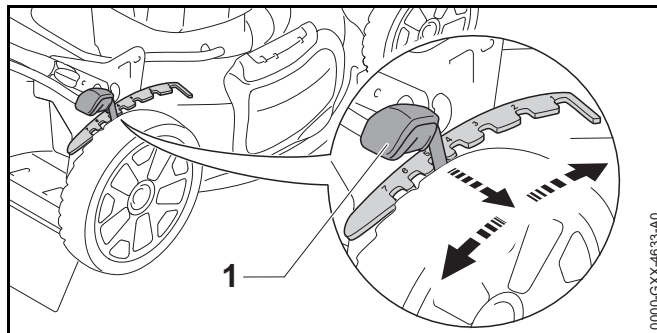


- ▶ Segurar a barra de direção com as duas mãos, para que os polegares envolvam a barra de direção.

13.2 Ajustar a altura do corte

Dependendo da utilização, existe a possibilidade de ajustar 7 diferentes alturas de corte:

- 35 mm = Posição 1
- 50 mm = Posição 2
- 63 mm = Posição 3
- 74 mm = Posição 4
- 83 mm = Posição 5
- 90 mm = Posição 6
- 98 mm = Posição 7



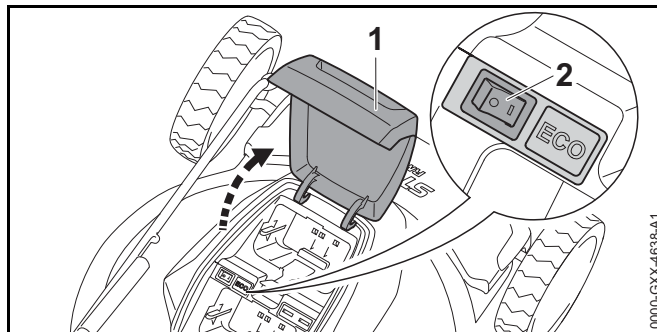
As posições são informadas no cortador de grama.

- ▶ Puxar a alavanca (1) do rebaixo e engatar a posição desejada.

13.3 Ligar em modo ECO

Ao ativar o modo ECO, o cortador de grama reconhecerá as condições de trabalho atuais e ajustará automaticamente a rotação apropriada para a lâmina de corte.

A duração da bateria pode ser prolongada.



- ▶ Abrir a aba (1) até o encosto e segurá-la.
- ▶ Colocar o interruptor ECO (2) na posição I.
- ▶ Fechar a aba (1).

13.4 Cortar e moer



- ▶ Empurrar o cortador de grama devagar e com cuidado para frente.

14 Após o trabalho

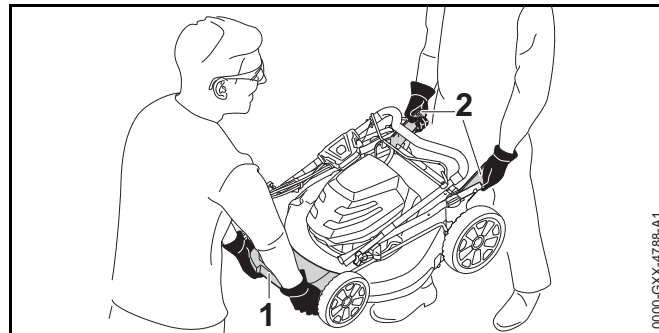
14.1 Após o trabalho

- ▶ Desligar o cortador de grama, tirar a chave de ativação e retirar a bateria.
- ▶ Se o cortador de grama estiver molhado: deixá-lo secar.
- ▶ Se a bateria estiver molhada: deixá-la secar.
- ▶ Limpar o cortador de grama.
- ▶ Limpar a bateria.

15 Transporte

15.1 Transportar o cortador de grama

- ▶ Desligar o cortador de grama, tirar a chave de ativação e retirar a bateria.
- ▶ Empurrar o cortador de grama devagar e com cuidado para frente.



- ▶ Se o cortador de grama tiver que ser carregado:
 - ▶ Dobrar a barra de direção.
 - ▶ Segurar o cortador de grama com as duas mãos na cobertura (1) e com as duas mãos nos consoles (2) e carregá-lo a dois.
- ▶ Se o cortador de grama for transportado em um veículo: assegurar que o cortador de grama não possa cair ou se mover.

15.2 Transportar a bateria

- ▶ Desligar o cortador de grama e tirar a bateria.
- ▶ Certificar-se de que a bateria está em perfeitas condições de segurança.
- ▶ Embalar a bateria, de modo que sejam atendidas as seguintes condições:
 - A embalagem não é condutora de eletricidade.
 - A bateria não pode se mover na embalagem.
- ▶ Fixar a embalagem para que ela não possa se movimentar.

A bateria está sujeita às exigências para o transporte de mercadorias perigosas. A bateria está classificada como UN 3480 (baterias de íons de lítio) e foi testada conforme Manual UN de Ensaios e Critérios, Parte III, subitem 38.3.

Os regulamentos de transporte podem ser encontrados em www.stihl.com/safety-data-sheets.

16 Armazenagem

16.1 Guardar o cortador de grama

- ▶ Desligar o cortador de grama, tirar a chave de segurança e retirar a bateria.
- ▶ Guardar o cortador de grama de tal forma, que os seguintes requisitos sejam cumpridos:
 - O cortador de grama está fora do alcance de crianças.
 - O cortador de grama está limpo e seco.

16.2 Guardar a bateria

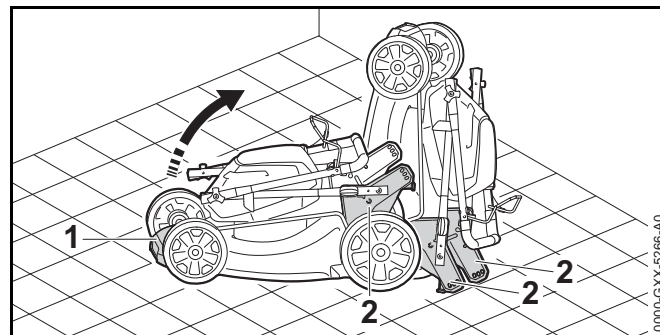
A STIHL recomenda guardar a bateria com uma carga entre 40 % e 60 % (2 LEDs verdes acesos).

- ▶ Guardar a bateria, de modo que sejam atendidas as seguintes condições:
 - a bateria está fora do alcance de crianças
 - a bateria está limpa e seca
 - a bateria está num ambiente fechado
 - a bateria está separada do cortador de grama e do carregador
 - a bateria está numa embalagem que não seja condutora de eletricidade
 - a bateria está numa faixa de temperatura entre - 10 °C e + 50 °C

17 Limpeza

17.1 Montar o cortador de grama

- ▶ Desligar o cortador de grama, retirar a chave de ativação e tirar a bateria.
- ▶ Colocar o cortador de grama sobre uma superfície plana.
- ▶ Ajustar a altura de corte na posição 6.
- ▶ Dobrar a barra de direção.



- ▶ Segurar o cortador de grama com uma mão na cobertura (1) e com a outra no console (2).
- ▶ Posicionar o cortador de grama de forma que os consoles (2) toquem no chão.

17.2 Limpar o cortador de grama

- ▶ Desligar o cortador de grama, tirar a chave de segurança e retirar a bateria.
- ▶ Limpar o cortador de grama com um pano úmido.
- ▶ Limpar o canal de saída e canal de saída lateral com uma escova macia ou um pano úmido.
- ▶ Remover resíduos do compartimento da bateria e limpar o compartimento com um pano úmido.
- ▶ Limpar os contatos elétricos no compartimento da bateria com um pincel ou com uma escova macia.
- ▶ Limpar a fenda do suspiro do tanque com um pincel.

- ▶ Limpar a região da lâmina e a lâmina com uma escova macia ou um pano úmido.

17.3 Limpar a bateria

- ▶ Limpar a bateria com um pano úmido.

18 Manutenção

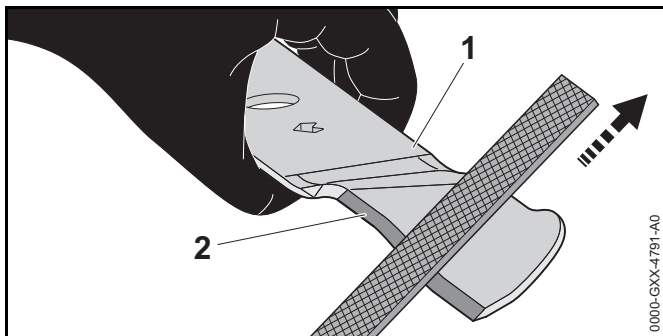
18.1 Afiar e balancear a lâmina de corte

Afiar e balancear a lâmina de corte corretamente exige muita prática.

Limas STIHL, ferramentas de afiação STIHL e aparelhos de afiação STIHL ajudam na afiação correta da lâmina de corte.

A STIHL recomenda que as lâminas de corte sejam afiadas e balanceadas em um Ponto de Vendas STIHL.

- ▶ Desligar o cortador de grama, tirar a chave de ativação e retirar a bateria.
- ▶ Posicionar o cortador de grama.
- ▶ Desmontar a lâmina de corte.



- ▶ Afiar o gume (1) com uma lima chata STIHL com um movimento de avanço, observando o ângulo de afiação, 21.2.
- ▶ Virar a lâmina de corte (2).
- ▶ Afiar o outro gume (1).

- ▶ Montar a lâmina de corte.
- ▶ Em caso de dúvidas: consultar um Ponto de Vendas STIHL.

19 Consertos

19.1 Consertar o cortador de grama e a bateria

O usuário não pode consertar o cortador de grama, a lâmina de corte e a bateria por conta própria.

- ▶ Se o cortador de grama ou a lâmina de corte estiverem danificados: não utilizar o cortador de grama ou a lâmina de corte e procurar um Ponto de Vendas STIHL.
- ▶ Se a bateria estiver com defeito ou danificada: substituir a bateria.
- ▶ Se as etiquetas de avisos estiverem ilegíveis ou danificadas: procurar um Ponto de Vendas STIHL para substituí-las.

20 Solucionar distúrbios

20.1 Solucionar distúrbios no cortador de grama ou na bateria

Distúrbio	LEDs na bateria	Causa	Solução
O cortador de grama não liga quando é acionado.	1 LED verde piscando.	A carga da bateria está muito baixa.	▶ Carregar a bateria.
	1 LED vermelho aceso.	A bateria está muito quente ou muito fria.	▶ Tirar a chave de ativação. ▶ Retirar a bateria. ▶ Deixar a bateria esfriar ou aquecer.
	3 LEDs vermelhos piscando.	Existe um distúrbio no cortador de grama.	▶ Tirar a chave de ativação. ▶ Retirar a bateria. ▶ Limpar os contatos elétricos no compartimento da bateria. ▶ Colocar a bateria. ▶ Ligar o cortador de grama. ▶ Se 3 LEDs vermelhos continuarem piscando: não utilizar o cortador de grama e consultar um Ponto de Vendas STIHL.
	3 LEDs vermelhos acesos.	O cortador de grama está muito quente.	▶ Tirar a chave de ativação. ▶ Retirar a bateria. ▶ Deixar o cortador de grama esfriar.
	4 LEDs vermelhos piscando.	Existe uma falha na bateria.	▶ Retirar a bateria e colocá-la novamente. ▶ Ligar o cortador de grama. ▶ Se 4 LEDs vermelhos continuarem piscando: não utilizar a bateria e consultar um Ponto de Vendas STIHL.
		Sem contato elétrico entre o cortador de grama e a bateria.	▶ Tirar a chave de ativação. ▶ Retirar a bateria. ▶ Limpar os contatos elétricos no compartimento da bateria. ▶ Inserir a chave de ativação. ▶ Colocar a bateria.

Distúrbio	LEDs na bateria	Causa	Solução
		O cortador de grama ou a bateria estão úmidos.	<ul style="list-style-type: none"> ▶ Tirar a chave de ativação. ▶ Retirar a bateria. ▶ Limpar o cortador de grama. ▶ Deixar o cortador de grama ou a bateria secarem.
		A resistência na lâmina de corte é muito grande.	<ul style="list-style-type: none"> ▶ Ajustar a altura de corte num nível maior. ▶ Ligar o cortador de grama em grama mais baixa.
O cortador de grama desliga durante o trabalho.	3 LEDs vermelhos acesos.	O cortador de grama está muito quente.	<ul style="list-style-type: none"> ▶ Tirar a chave de ativação. ▶ Retirar a bateria. ▶ Deixar o cortador de grama esfriar. ▶ Limpar o cortador de grama. ▶ Não ligar o cortador de grama frequentemente em um curto espaço de tempo. ▶ Caminhar mais devagar. ▶ Ajustar a altura de corte num nível maior. ▶ Cortar grama mais baixa.
		A lâmina de corte está bloqueada.	<ul style="list-style-type: none"> ▶ Tirar a chave de ativação. ▶ Retirar a bateria. ▶ Limpar o cortador de grama.
		Existe uma falha elétrica.	<ul style="list-style-type: none"> ▶ Retirar a bateria e colocá-la novamente. ▶ Ligar o cortador de grama.
O tempo de funcionamento do cortador de grama é muito curto.		A bateria não foi totalmente carregada.	<ul style="list-style-type: none"> ▶ Carregar a bateria totalmente.
		A duração da bateria foi excedida.	<ul style="list-style-type: none"> ▶ Substituir a bateria.
Após inserir a bateria no carregador, o processo de carga não inicia.	1 LED vermelho aceso.	A bateria está muito quente ou muito fria.	<ul style="list-style-type: none"> ▶ Deixar a bateria inserida no carregador. O processo de carga inicia automaticamente, assim que a temperatura permitida for atingida.

21 Dados técnicos

21.1 Cortador de grama STIHL RMA 460

- Bateria permitida: STIHL AK
- Peso sem bateria: 25 kg
- Capacidade máxima do cesto coletor de grama: 60 l
- Largura de corte: 46 cm
- Rotação: 3200 1/min
- Rotação no modo ECO: 2800 1/min

21.2 Lâmina de corte

- Espessura: 2,5 mm
- Espessura mínima: 2,0 mm
- Largura: 50 mm
- Largura mínima: 45 mm
- Ângulo de afiação: 30°

21.3 Bateria STIHL AK

- Tecnologia da bateria: Íons de lítio
- Tensão: 36 V
- Capacidade em Ah: ver plaqueta de identificação
- Teor de energia em Wh: ver plaqueta de identificação
- Peso em kg: ver plaqueta de identificação
- Faixa de temperatura permitida para utilização e armazenagem: - 10 °C até + 50 °C

21.4 REACH

REACH refere-se a um regulamento CE relativo ao registro, avaliação e autorização de produtos químicos.

Informações para o cumprimento do regulamento REACH podem ser encontradas em www.stihl.com/reach.

22 Peças de reposição e acessórios

22.1 Peças de reposição e acessórios

STIHL® Estes símbolos identificam as peças de reposição e acessórios originais STIHL.

A STIHL recomenda utilizar peças de reposição originais STIHL e acessórios originais STIHL.

As peças de reposição e os acessórios originais STIHL podem ser adquiridos em uma Concessionária STIHL.

23 Descarte

23.1 Descartar o cortador de grama e a bateria

Informações atualizadas sobre o descarte estão disponíveis num Ponto de Vendas STIHL.

As baterias podem ser descartadas num Ponto de Vendas STIHL.

- ▶ O descarte do cortador de grama, da bateria, dos acessórios e das embalagens deve obedecer à legislação específica de cada país e a reciclagem deve ser ambientalmente correta.

0458-796-9921-A

INT1



www.stihl.com



0458-796-9921-A